

VALVES SERIES 70, MECHANICALLY OPERATED, 1/8"

TECHNICAL DATA

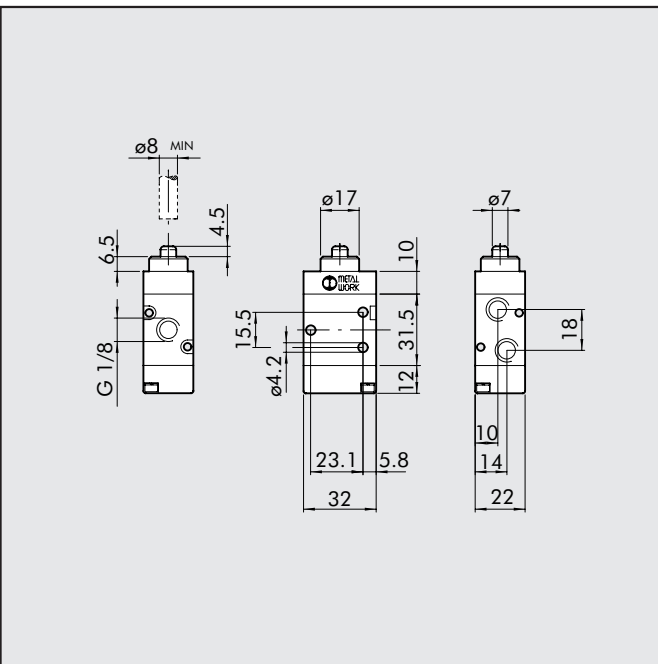
Thread at valve ports	G 1/8
Operation force at 6 Bar:	
• Version with direct control	50 N
• Pilot-assisted Version	6 N
Operating pressure:	
• Version with direct control	Vacuum to 10 bar
• Pilot-assisted version	2.5 ÷ 10 bar
Operating temperature range	-10° to 60°C
Nominal diameter	5 mm
Conductance C	121.43 NI/min · bar
Critical ratio b	0.32 bar/bar
Flow rate at 6 bar ΔP 0.5 bar	400 NI/min
Flow rate at 6 bar ΔP 1 bar	550 NI/min

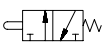


KEY TO CODES AND ORDERING CODES

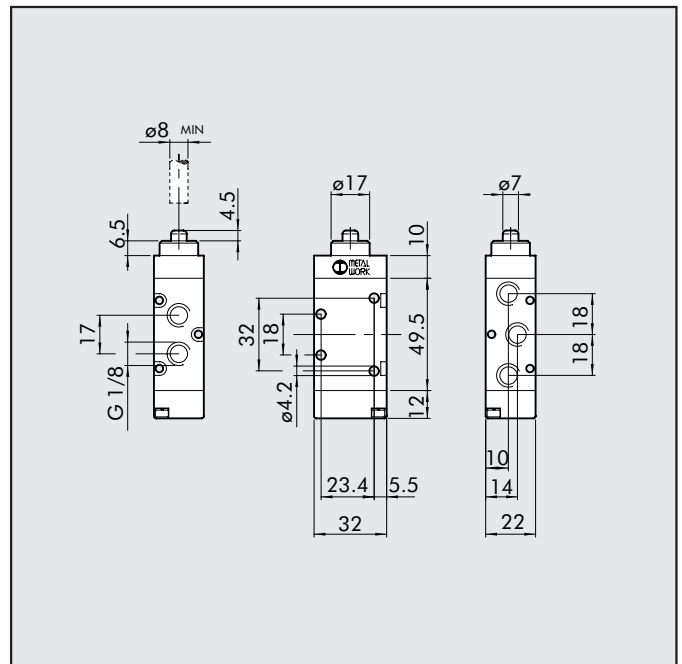
M	E	V	2	3	T	A	S	N	C	
FAMILY			PORT	FUNCTION	OPERATORS 14		RESETTING 12	FURTHER DETAILS		
MEV	Mechanically-operated I valves		2 1/8"	3 3/2 5 5/2	TA BR UR TS RS AS LL	Plunger Bidirectional roller unidirectional roller sensitive plunger sensitive roller sensitive aerial frontal roller lever	S A	Mechanical spring pneumatic/ mechanical spring*	NC OO	normally closed 5/2
							*on demand			

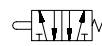
PLUNGER 3/2, 1/8"

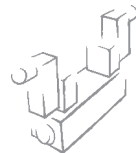


Symbol	Abbrev.	Code	Weight [g]
	MEV 23 TAS NC	7001000100	88

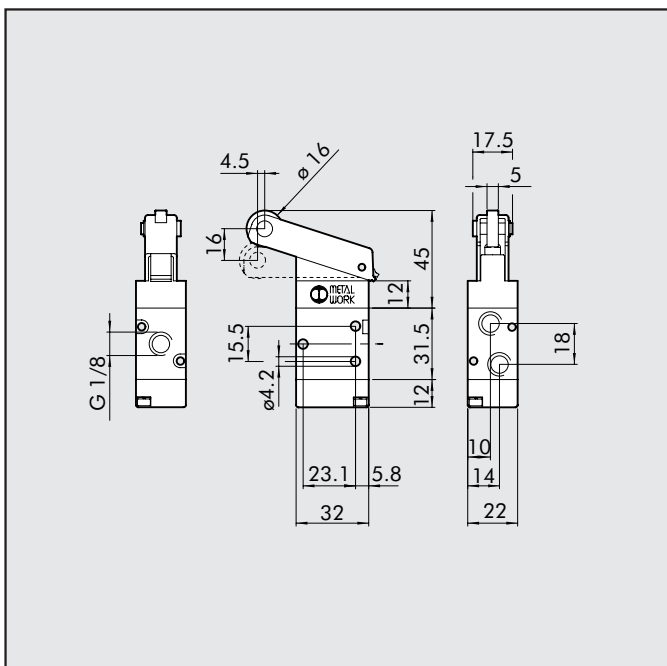
PLUNGER 5/2, 1/8"



Symbol	Abbrev.	Code	Weight [g]
	MEV 25 TAS OO	7001000110	114

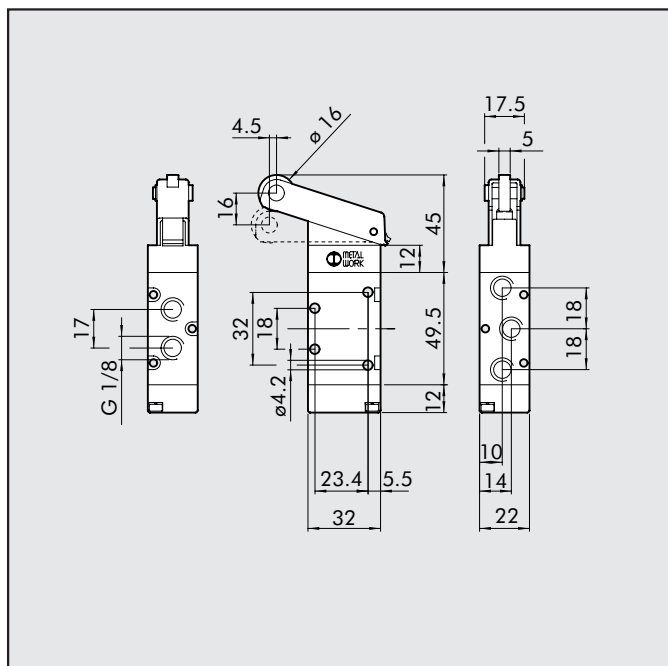


LEVA RULLO 3/2 1/8"



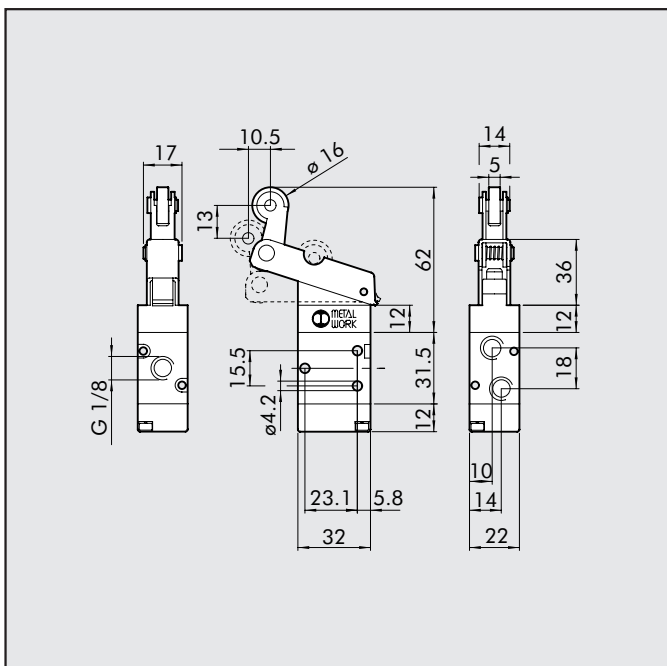
Simbolo	Sigla	Codice	Peso [g]
	MEV 23 BRS NC	7001000500	130

LEVA RULLO 5/2 1/8"



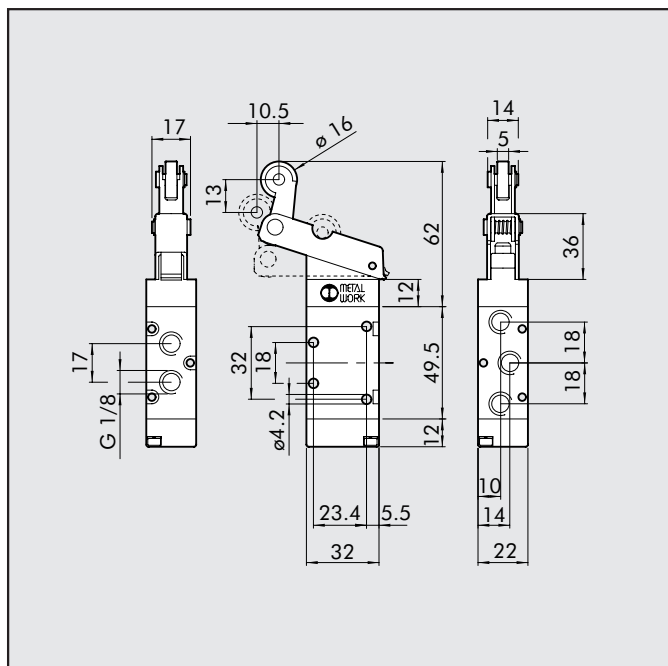
Simbolo	Sigla	Codice	Peso [g]
	MEV 25 BRS OO	7001000510	156

LEVA RULLO UNIDIREZIONALE 3/2 1/8"



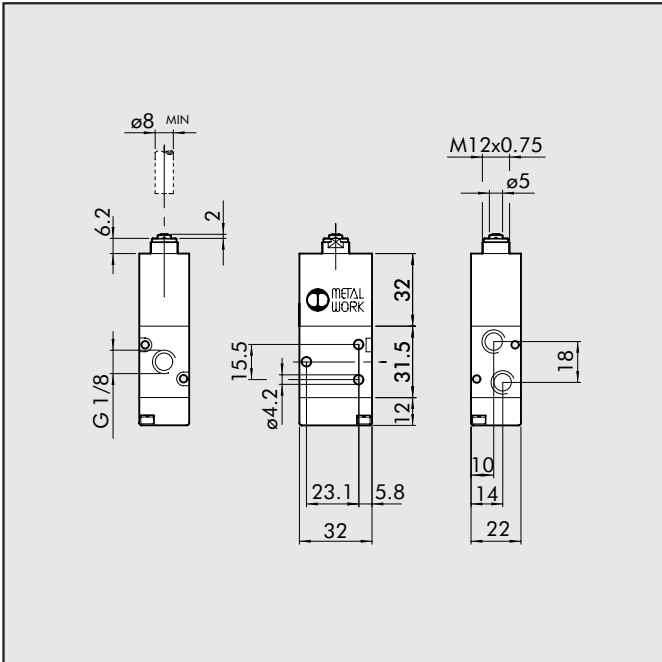
Simbolo	Sigla	Codice	Peso [g]
	MEV 23 URS NC	7001000600	136

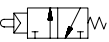
LEVA RULLO UNIDIREZIONALE 5/2 1/8"



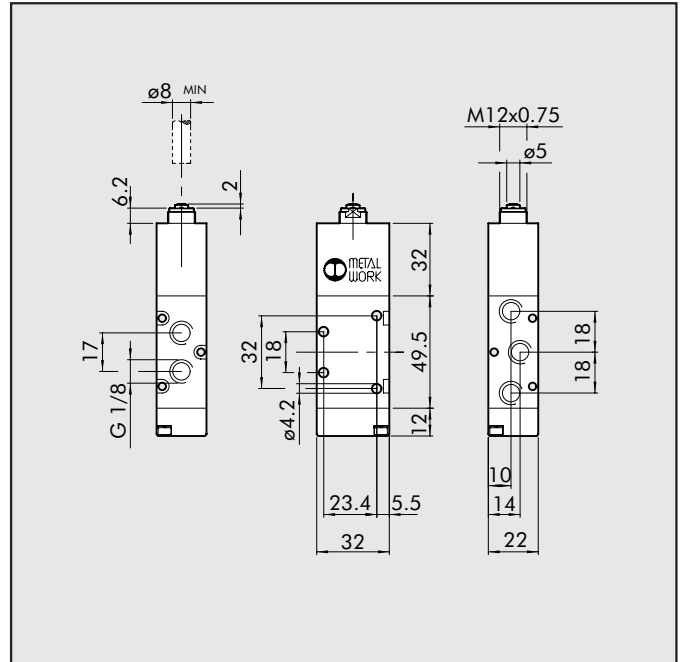
Simbolo	Sigla	Codice	Peso [g]
	MEV 25 URS OO	7001000610	162


PILOT-ASSISTED PLUNGER 3/2 NC, 1/8"



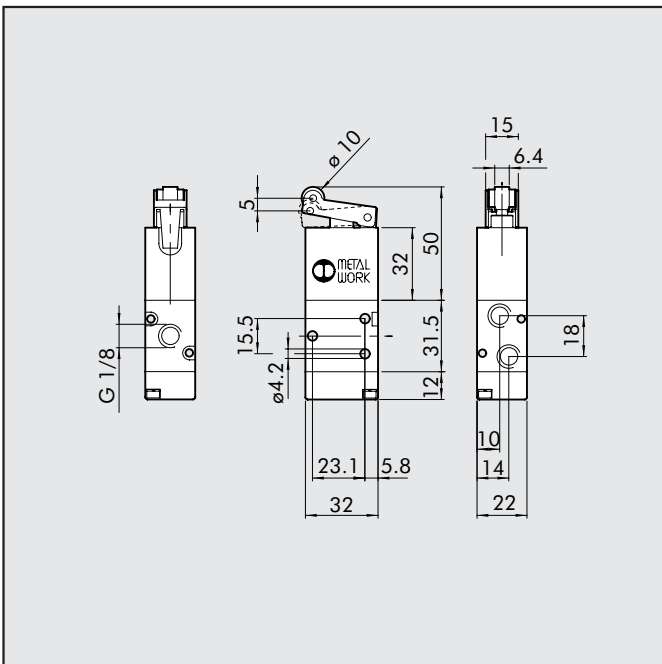
Symbol	Abbrev.	Code	Weight [g]
	MEV 23 TSS NC	7001000200	126


PILOT-ASSISTED PLUNGER 5/2, 1/8"



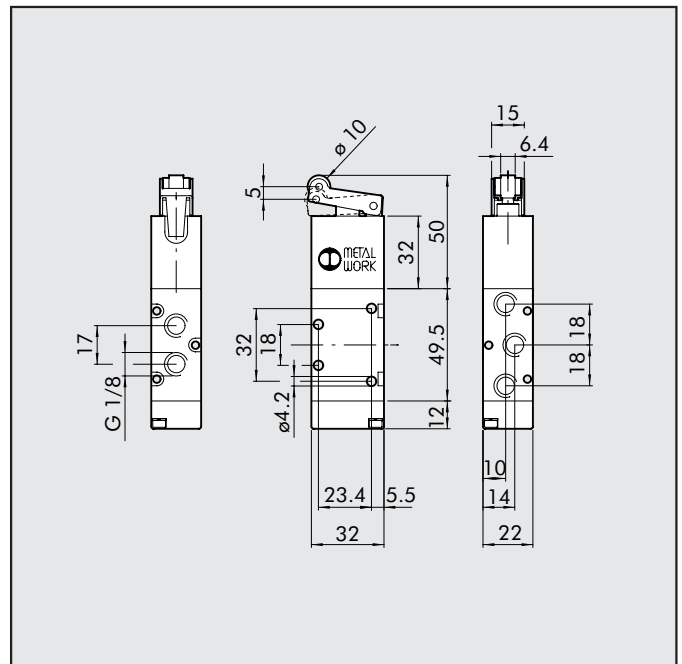
Symbol	Abbrev.	Code	Weight [g]
	MEV 25 TSS OO	7001000210	152


PILOT-ASSISTED ROLLER LEVER 3/2 NC, 1/8"

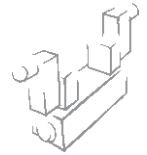


Symbol	Abbrev.	Code	Weight [g]
	MEV 23 RSS NC	7001000400	138

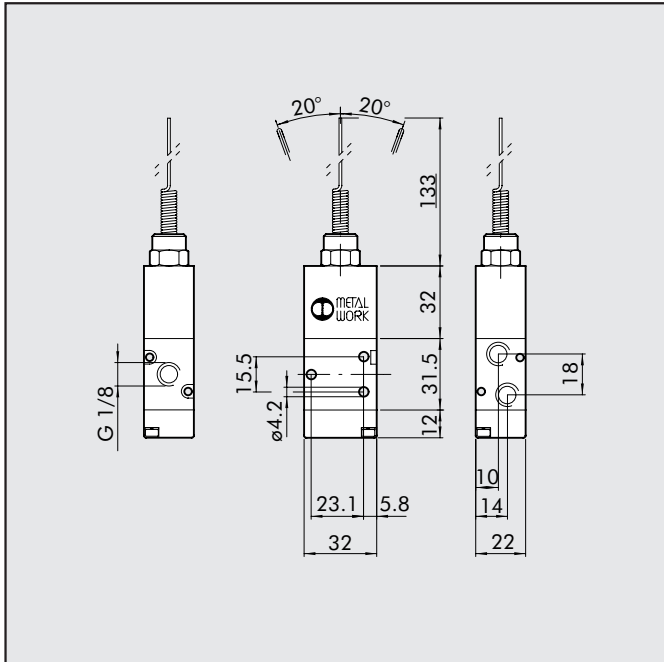
PILOT-ASSISTED ROLLER LEVER 5/2, 1/8"



Symbol	Abbrev.	Code	Weight [g]
	MEV 25 RSS OO	7001000410	164

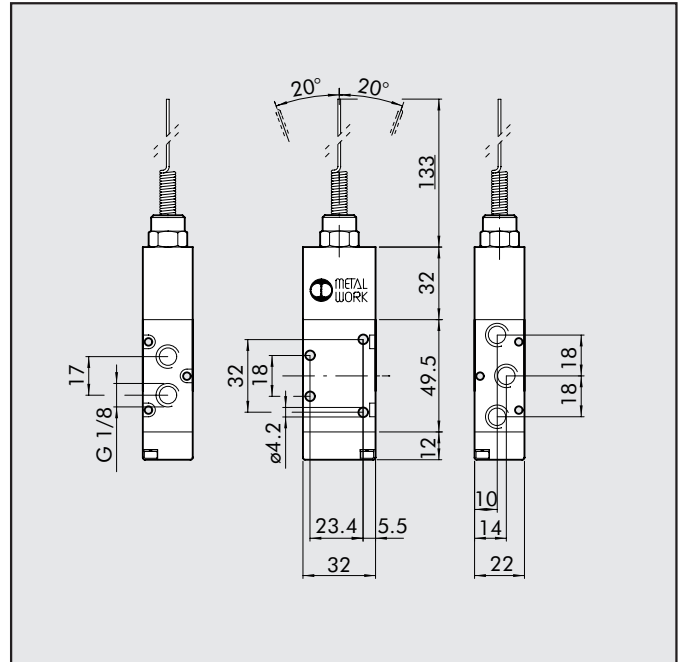


PILOT-ASSISTED AERIAL 3/2 NC, 1/8"



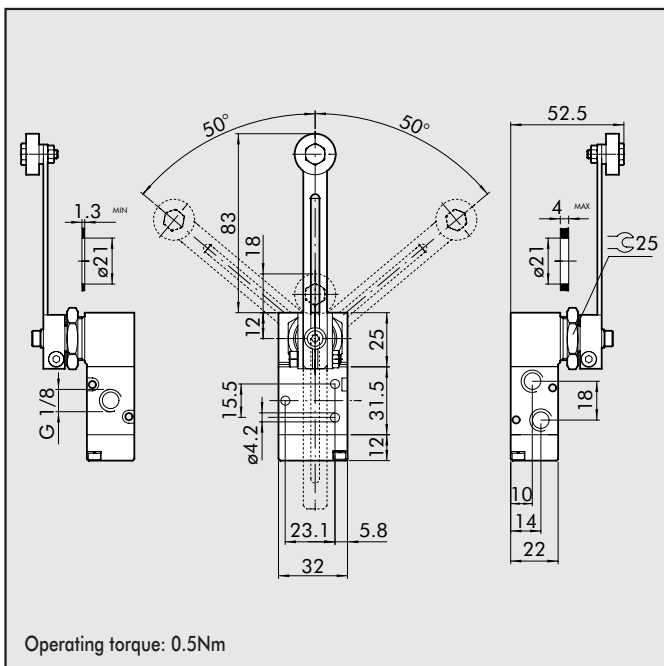
Symbol	Abbrev.	Code	Weight [g]
	MEV 23 ASS NC	7001000700	142

PILOT-ASSISTED AERIAL 5/2 NC, 1/8"



Symbol	Abbrev.	Code	Weight [g]
	MEV 25 ASS OO	7001000710	168

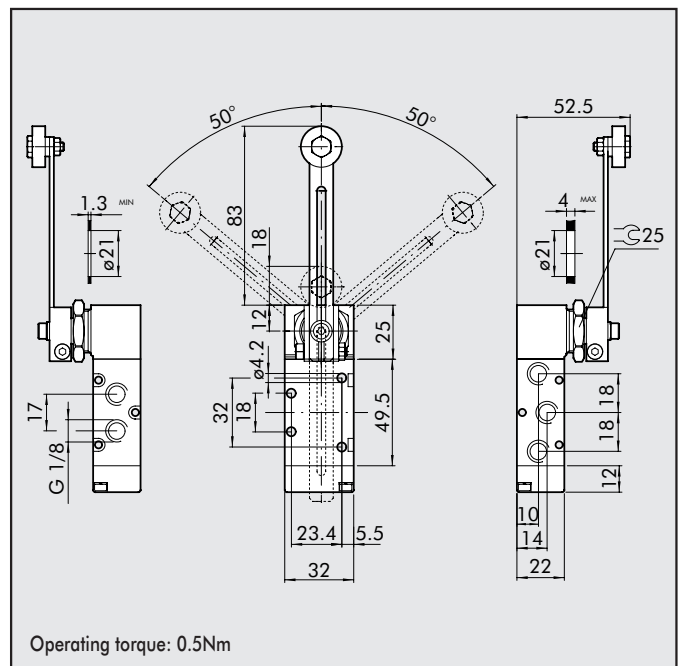
ROLLER-LEVER 3/2 1/8"



Operating torque: 0.5Nm

Symbol	Abbrev.	Code	Weight [g]
	MEV 23 LLS NC	7001000900	189

ROLLER-LEVER 5/2 1/8"



Operating torque: 0.5Nm

Symbol	Abbrev.	Code	Weight [g]
	MEV 25 LLS OO	7001000910	216