

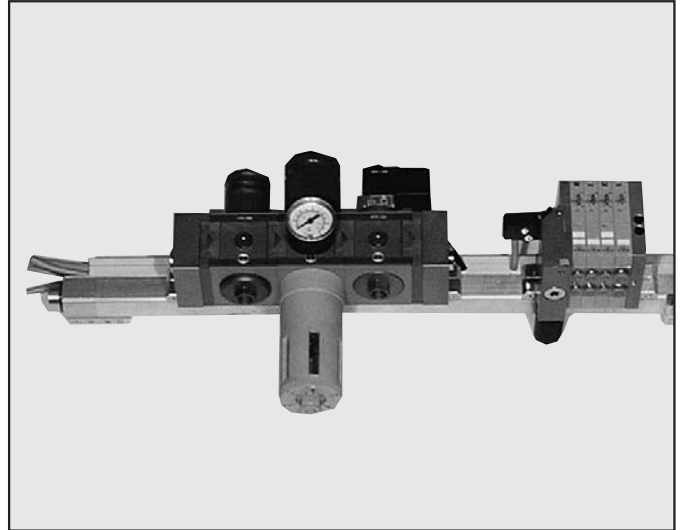
# PNEUMO-BUS

Pneumo-bus is an integrated connection system between compressed air treatment units, valves and accessories.

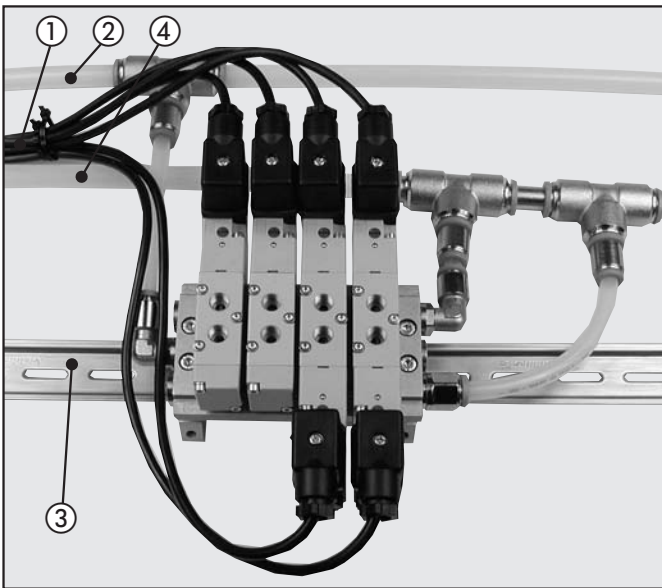
The system includes a Skillair 200 air treatment unit version and one for the Multimach valve islands arranged for direct fitting to the Teseo.

AP 25 profile pipe. These Teseo patented aluminium profile pipes are known for their rapid installation time, for the numerous accessories. The profile is symmetrical, can be used on all sides and is easy to cut and bend. The new arrangement system for Metal Work products therefore reaches interesting objectives:

- Valves and units fitted directly to the pipe which acts both as a robust mechanical support and an air supply.
- The elimination of all polyamide pipes and their fittings and assembly.
- The 25 mm. passage hole guarantees valve supply with reduced pressure drop and also acts as a pneumatic "tank".
- It is possible to install a second pipe, parallel and adjacent to the first one, to convey air to the exhaust, connected directly to the Multimach exhaust port.
- It is also possible to fix a conduit for electric cables to the pipe.



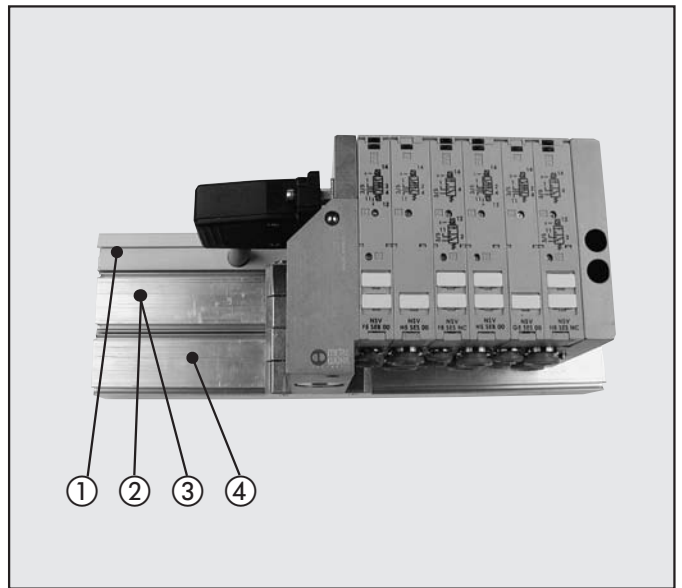
## FROM THE TRADITIONAL SYSTEM



① ELECTRICAL WIRES

② PNEUMATIC SUPPLY

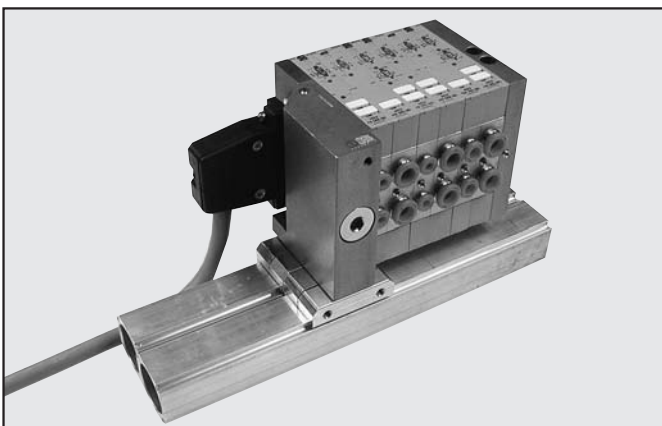
## TO THE PNEUMO-BUS



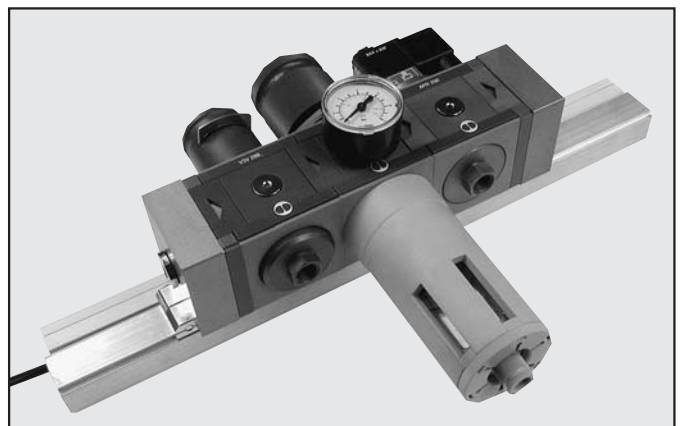
③ VALVE SUPPORT

④ PNEUMATIC EXHAUST

## MULTIMACH

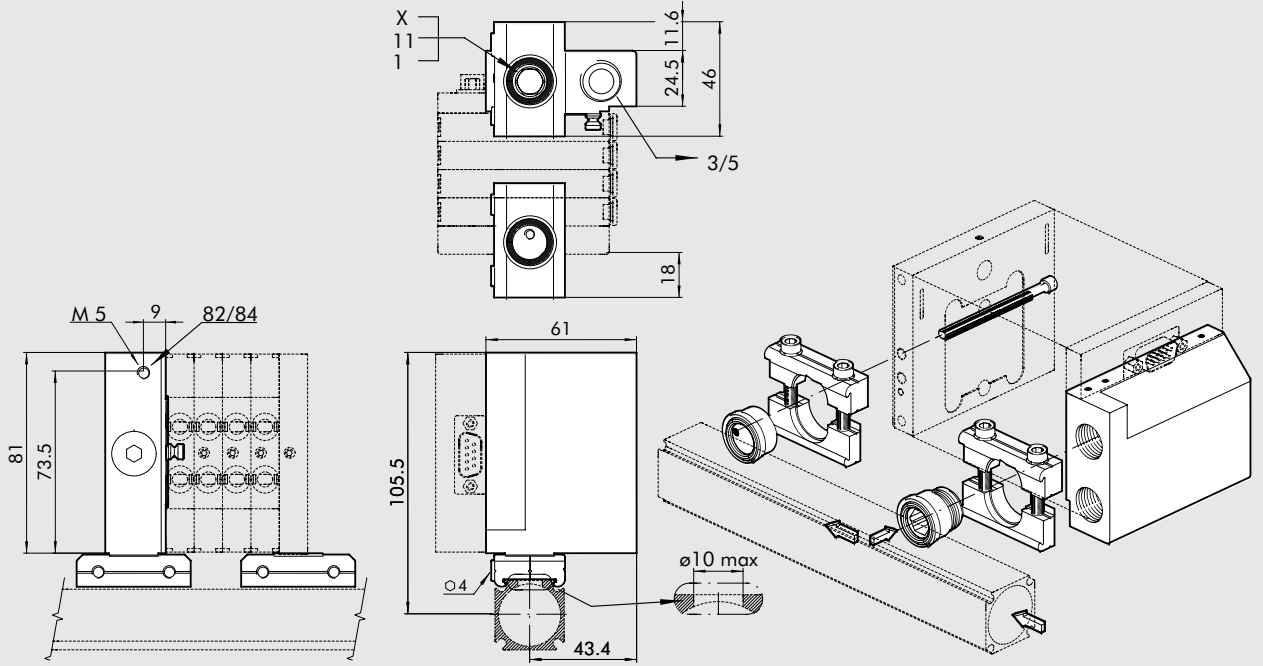


## SKILLAIR 200



MULTIMACH END PLATE FOR PNEUMO-BUS

21

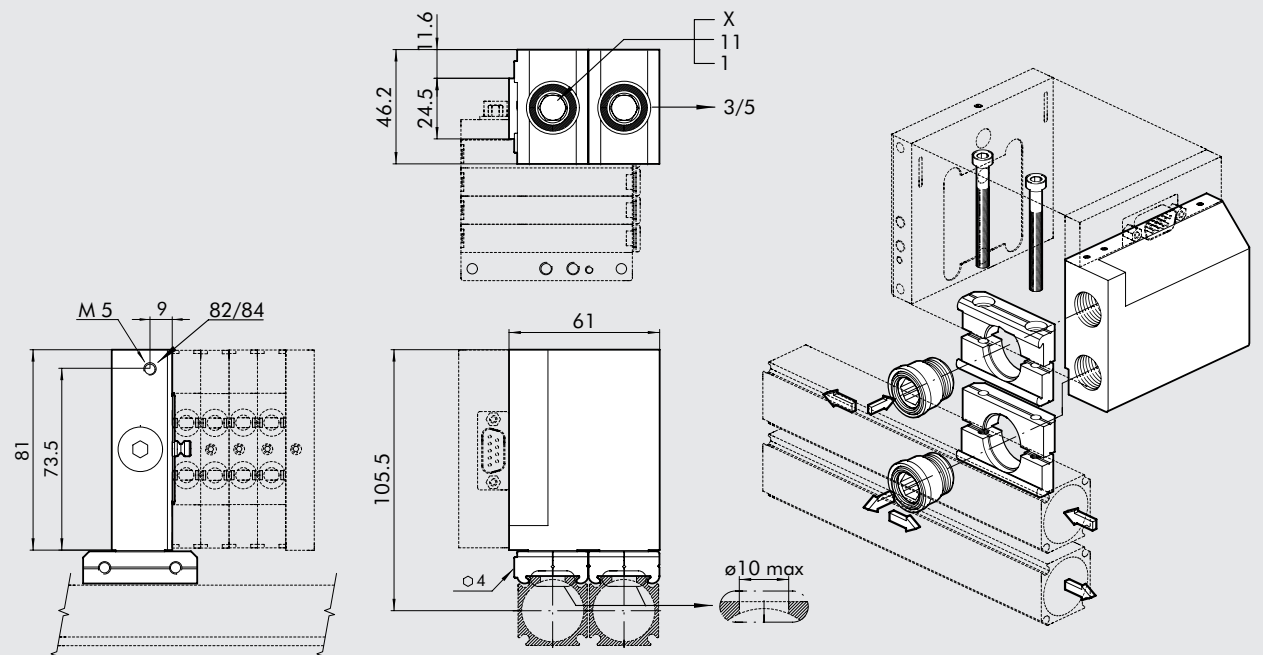


Code Description  
0227300203 PNEUMO-BUS END PLATE KIT

N.B. When ordering a Multimach unit with this end plate, specify the identification number 21:M51-21...

MULTIMACH END PLATE FOR PNEUMO-BUS + CONVEYED EXHAUST

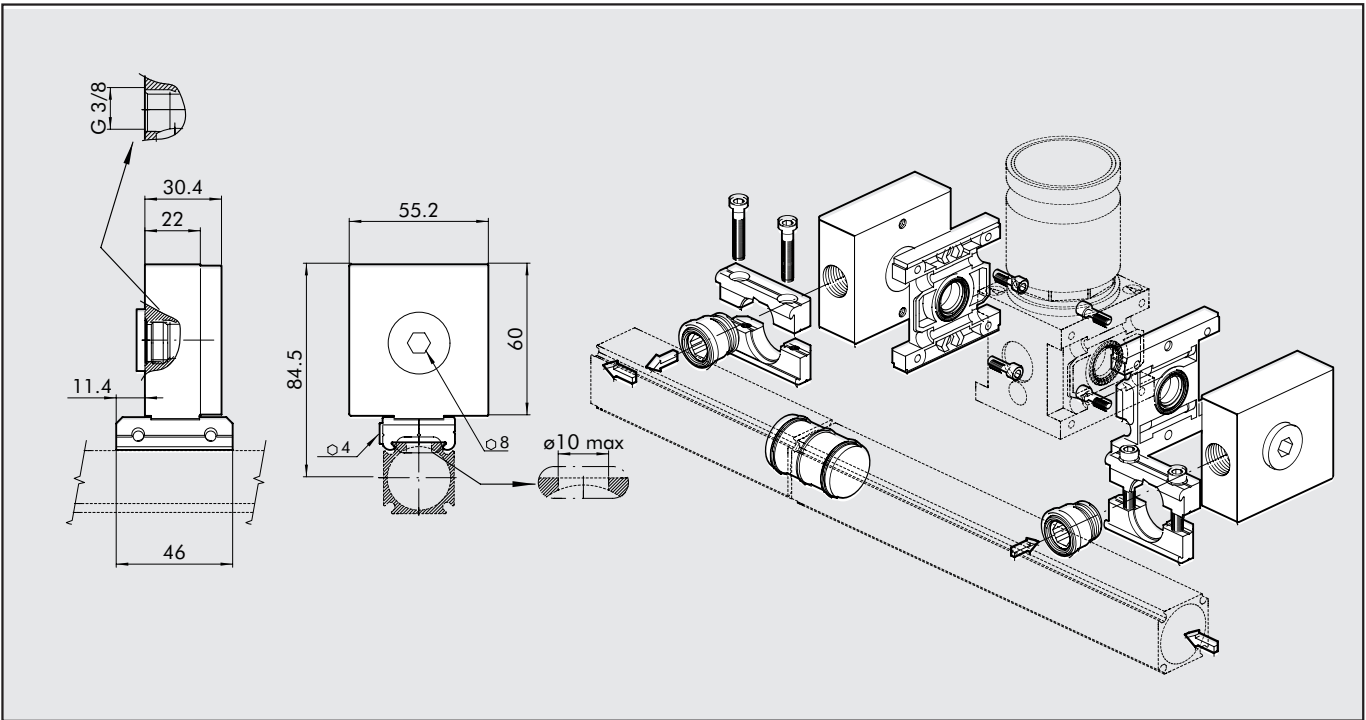
22



Code Description  
0227300204 PNEUMO-BUS END PLATE KIT + CONVEYED EXHAUST

N.B. When ordering a Multimach unit with this end plate, specify the identification number 22:M51-22...

SKILLAIR 200 END PLATE FOR PNEUMO-BUS



Code	Description
9330901	PNEUMO-BUS SK 200 END PLATE KIT

THE ACCESSORIES FOR AP 25 BY  (www.teseoair.com)

