

# QUICK EXHAUST VALVES Series VSR

## QUICK EXHAUST VALVES

Used to evacuate air in the cylinder quickly, which increases cylinder speed.

- Temperature 0-80°C (32°-176°F)
- Max. pressure 12 bar (1200 KPa)
- Min. pressure 0.5 bar (50 KPa)

### Nominal flow rate (P->A):

AP = 1

Pm =	6 bar	4 bar	2 bar
1/8 =	900	700	500 NI/min'
1/4 =	1500	1300	900 NI/min'
1/2 =	3500	3000	2100 NI/min'

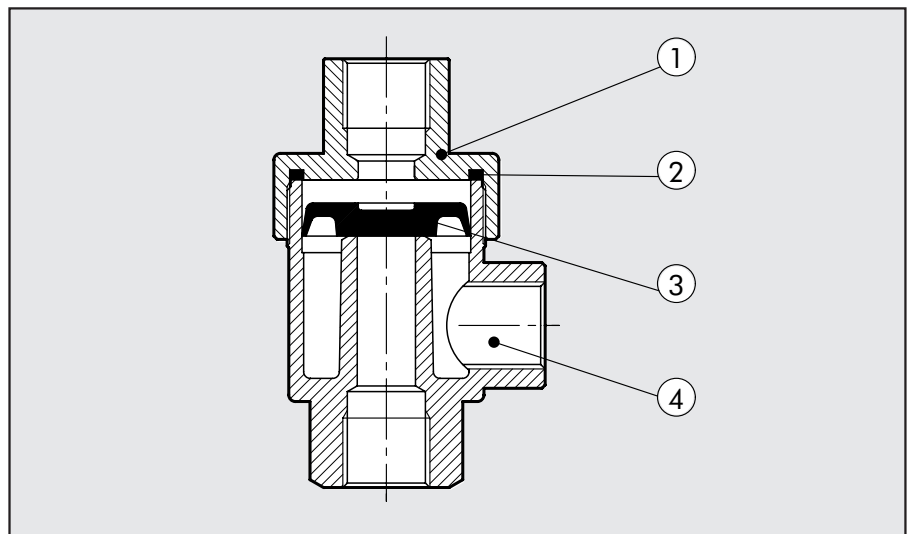
### Empty flow rate (A->R):

P =	6 bar	4 bar	2 bar
1/8 =	1700	1200	700 NI/min'
1/4 =	3400	2450	1400 NI/min'
1/2 =	7800	5500	3250 NI/min'

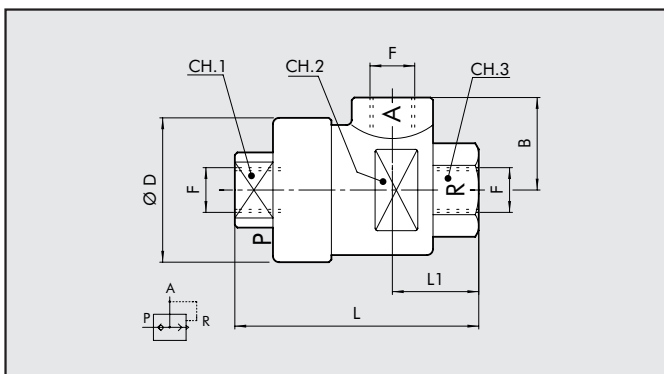


## COMPONENTS

- ① Cap: nickel-plated brass
- ② Flat gasket: NBR
- ③ Lip-seal: Adiprene
- ④ Body: nickel-plated brass

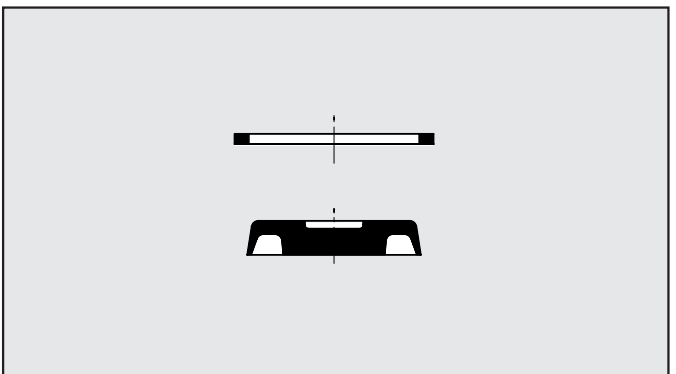


## OVERALL DIMENSIONS AND ORDERING CODES



Code	Ref.	F	B	D	CH1	CH2	CH3	L	L1
9101201	VSR 1/8	1/8	18.5	28.5	16	26	16	48	16.8
9201201	VSR 1/4	1/4	24	34	19	30	20	65	24.5
9401201	VSR 1/2	1/2	30	44	27	40	27	82	33

## SPARE GASKETS



Code	Ref.
9151501	MBVSR 1/8
9251501	MBVSR 1/4
9451501	MBVSR 1/2