

IN-LINE SOLENOID VALVE Series SOV L

SOV L solenoid valves belong to the LINE ON LINE® family, which means they can be connected to all the other components in series or in parallel.

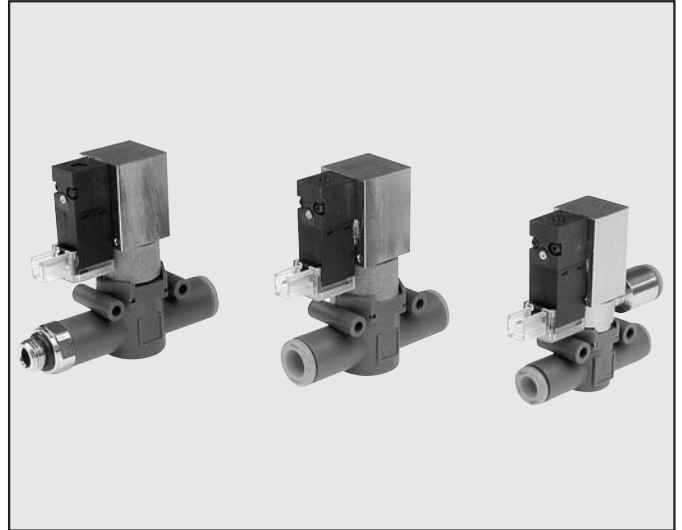
Available in the version for pipe-pipe connection with two FOX push-in fittings, and in the version for thread-pipe connection with a brass nickel-plated male thread and a push-in fitting.

Though small in size, SOV L valves are solenoid-piloted and feature very high performance.

The spool distributor is fitted with special polyurethane gaskets to ensure a very long working life.

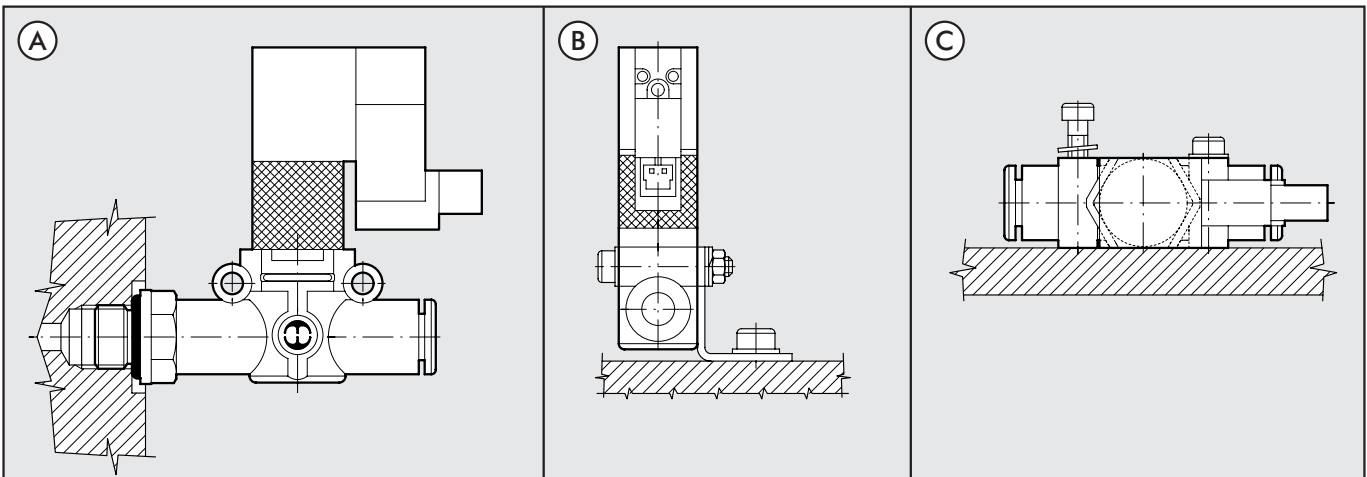
Each valve comes complete with a monostable manual control and LED.

Exhaust can be damped with an annular silencer or conveyed via a pipe fitting. The fitting for conveyed exhaust can be oriented freely.



TECHNICAL DATA		Ø 6	Ø 8
Operating pressure	MPa	0.25 to 0.7	
	bar	2.5 to 7	
	psi	36 to 101	
Temperature range	°C	-10°C to +60°C	
	°F	+14°F to +140°F	
Flow rate at 6.3 bar ΔP 0.5 bar	NI/min	270	500
Flow rate at 6.3 bar ΔP 1 bar	NI/min	380	700
Conductance C	NI/min*bar	95.8	178.1
Coefficient b	bar/bar	0.145	0.129
Voltage	VDC	24	
Power	W	1.2	
Recommended pipe		Rilsan PA 11 – Nylon 6 – Polyamide 12 – Polypropylene	
Fluid		lubricated or unlubricated filtered compressed air	

ASSEMBLY OPTIONS



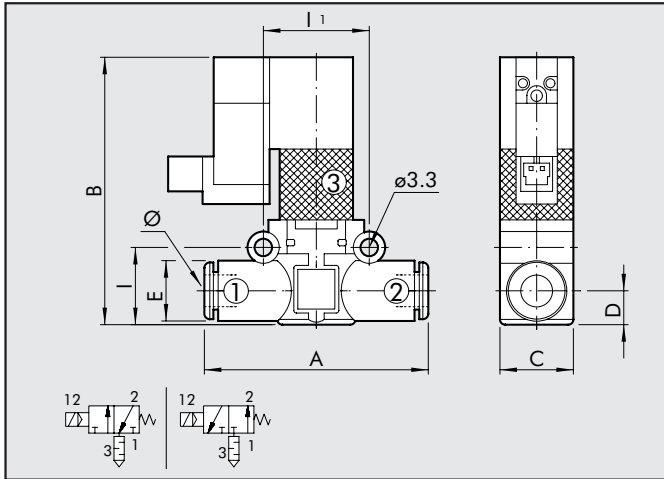
How to mount the SOV L:

- Fig. A: With the male threaded port it is possible to mount the SOV L straight onto the actuator.
- Fig. B: Fixing to the plate with the special SQU L bracket.
- Fig. C: There are two robust rings on the plastic body for fixing the SOV L straight onto the wall.



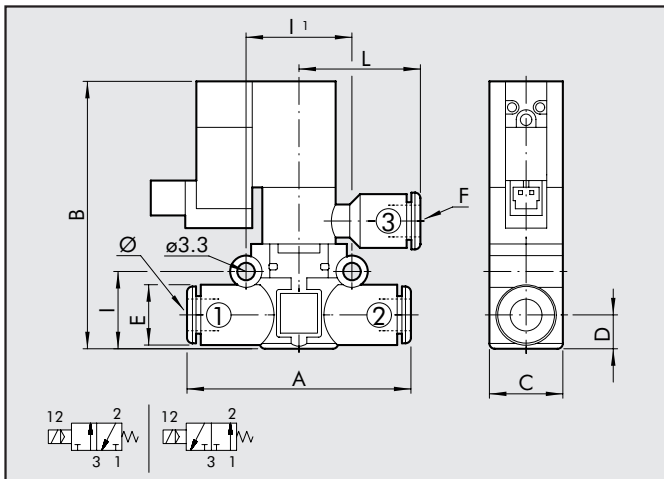
OVERALL DIMENSIONS AND ORDERING CODES

SOV L 3/2 NC-NO PIPE-PIPE
SILENCED EXHAUST



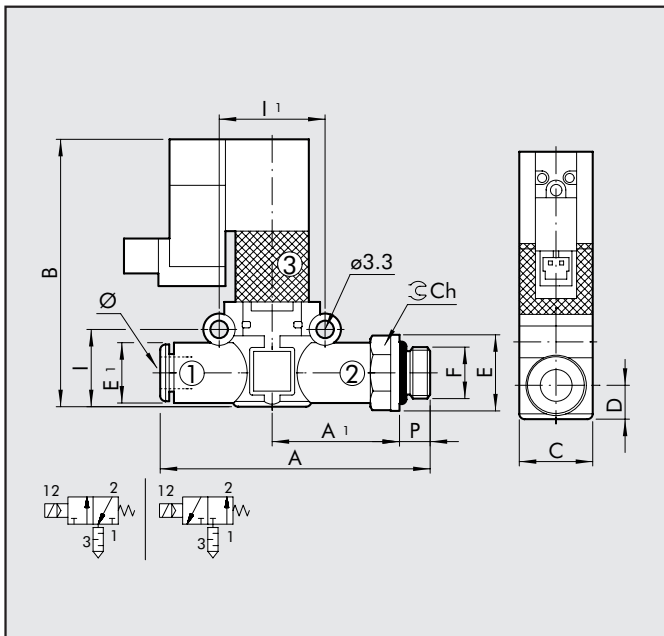
Code	Ref.	Ø	A	B	C	D	E	I	I1
9069016	SOV L 3/2 NC 6-6	6	47	55.5	14.7	6.4	11.4	14.6	20
9069116	SOV L 3/2 NO 6-6								
9069024	SOV L 3/2 NC 8-8	8	55.5	63.5	18.7	9.1	13.8	18.7	24
9069124	SOV L 3/2 NO 8-8								

SOV L 3/2 NC-NO PIPE-PIPE
CONVEYED EXHAUST



Code	Ref.	Ø	A	B	C	D	E	F	I	I1	L
9069216	SOV L 3/2 NC 6-6-6	6	47	55.5	14.7	6.4	11.4	Ø6	14.6	20	27
9069316	SOV L 3/2 NO 6-6-6										
9069224	SOV L 3/2 NC 8-8-8	8	55.5	63.5	18.7	9.1	13.8	Ø8	18.7	24	30
9069324	SOV L 3/2 NO 8-8-8										

SOV L 3/2 NC-NO PIPE-THREAD
SILENCED EXHAUST



Code	Ref.	Ø	F	P	A	A1	B	C	D	E
9069408	SOV L 3/2 NC 6-1/8	6	1/8	6	57.3	27.8	55.5	14.7	6.4	14
9069508	SOV L 3/2 NO 6-1/8									
9069409	SOV L 3/2 NC 6-1/4	6	1/4	8	60.3	28.8	55.5	14.7	6.4	18
9069509	SOV L 3/2 NO 6-1/4									
9069410	SOV L 3/2 NC 8-1/8	8	1/8	6	65.3	31.3	63.5	18.7	9.1	15
9069510	SOV L 3/2 NO 8-1/8									
9069411	SOV L 3/2 NC 8-1/4	8	1/4	8	69.7	34.2	63.5	18.7	9.1	18
9069511	SOV L 3/2 NO 8-1/4									
9069412	SOV L 3/2 NC 8-3/8	8	3/8	9	71.3	34.8	63.5	18.7	9.1	22
9069512	SOV L 3/2 NO 8-3/8									

Code	Ref.	E1	I	I1	Ch1
9069408	SOV L 3/2 NC 6-1/8	11.4	14.6	20	12
9069508	SOV L 3/2 NO 6-1/8				
9069409	SOV L 3/2 NC 6-1/4	11.4	14.6	20	14
9069509	SOV L 3/2 NO 6-1/4				
9069410	SOV L 3/2 NC 8-1/8	13.8	18.7	24	14
9069510	SOV L 3/2 NO 8-1/8				
9069411	SOV L 3/2 NC 8-1/4	13.8	18.7	24	14
9069511	SOV L 3/2 NO 8-1/4				
9069412	SOV L 3/2 NC 8-3/8	13.8	18.7	24	17
9069512	SOV L 3/2 NO 8-3/8				

