

IN-LINE PRESSURE GAUGE Series MAN L

The MAN L pressure gauge belongs to the LINE ON LINE® family, which means it can be connected to all the other components in series or in parallel.

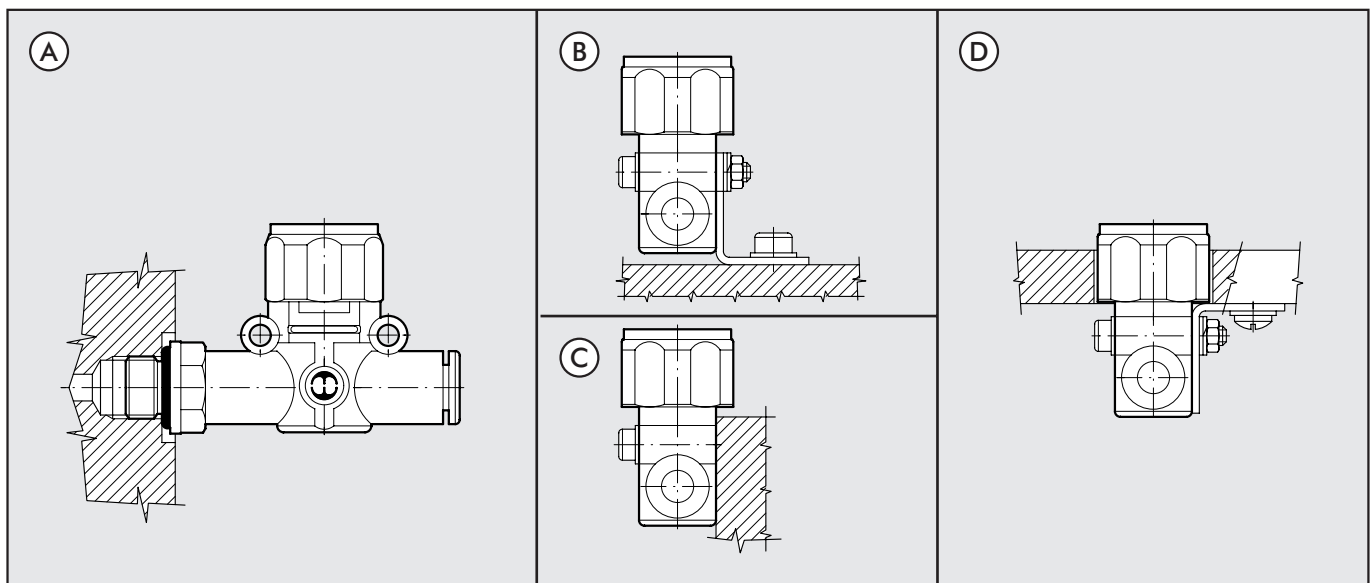
Available in the version for pipe-pipe connection with two FOX push-in fittings, and in the version for thread-pipe connection with a brass nickel-plated male thread and a push-in fitting.

Though small in size, this pressure gauge, which is supplied in a metal casing, ensures accurate reading. It can be angled in any direction simply by rotating manually.



TECHNICAL DATA		Ø 6	Ø 8
Operating pressure	MPa		1.2
	bar		12
	psi		174
Temperature range	°C		-20°C to +60°C
	°F		-4°F to +140°F
Precision			±4% full scale
Recommended pipe		Rilsan PA 11 – Nylon 6 – Polyamide 12 – Polypropylene	
Fluid		lubricated or unlubricated filtered compressed air	

ASSEMBLY OPTIONS



How to mount the MAN L:

- Fig. A: With the male threaded port it is possible to mount the MAN L straight onto the female thread.
- Fig. B: Fixing to the plate with the special SQU L bracket.
- Fig. C: There are two robust rings on the plastic body for fixing the MAN L straight onto the wall.
- Fig. D: Use the SQL L bracket for panel mounting the MAN L.

