

# IN-LINE CHECK VALVE

## Series VNR L



The VNR L check valve belongs to the LINE ON LINE® family, which means it can be connected to all the other components in series or in parallel.

Available in the version for pipe-pipe connection with two FOX push-in fittings, and in the version for thread-pipe connection with a brass nickel-plated male thread and a push-in fitting.

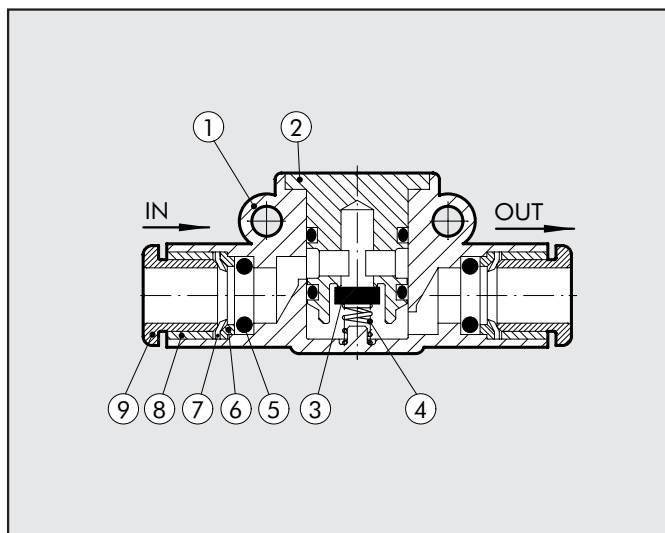
It is still the only check valve with holes for wall mounting.



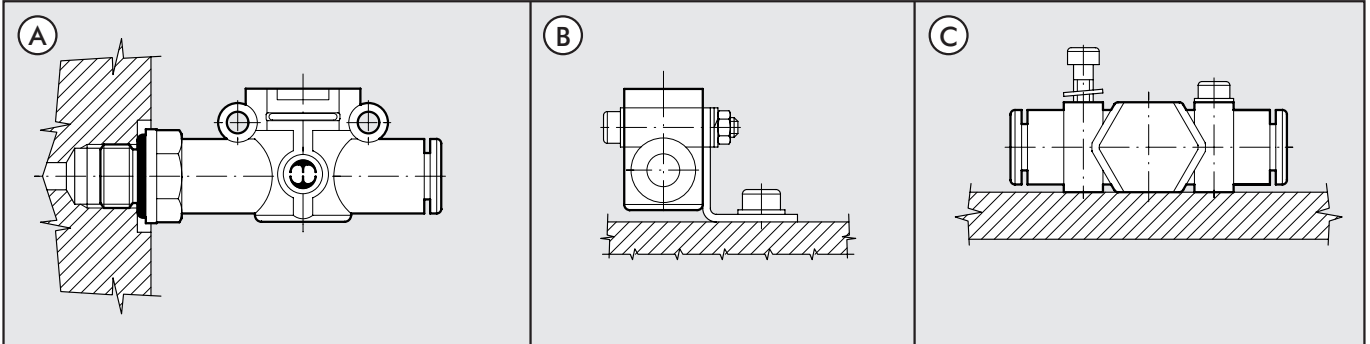
TECHNICAL DATA		Ø 6	Ø 8
Operating pressure	MPa	0.05 to 1.2	
	bar	0.5 to 12	
Temperature range	psi	7.2 to 174	
	°C	-20°C to +60°C	
	°F	-4°F to +140°F	
Flow rate at 6.3 bar ΔP 1 bar	Nl/min	320	480
Recommended pipe		Rilsan PA 11 – Nylon 6 – Polyamide12 – Polypropylene	
Fluid		lubricated or unlubricated filtered compressed air	

### COMPONENT PARTS

- ① Technopolymer body
- ② Nickel-plated brass insert
- ③ NBR valve
- ④ Stainless steel valve compression spring
- ⑤ NBR gasket
- ⑥ Technopolymer spring ring
- ⑦ Stainless steel folding spring
- ⑧ Technopolymer locking bushing
- ⑨ Technopolymer release bushing



### ASSEMBLY OPTIONS

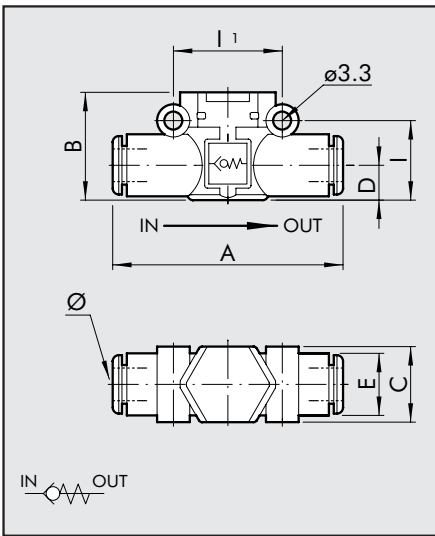


How to mount the VNR L:

- Fig. A: With the male threaded port it is possible to mount the VNR L straight onto the female thread.
- Fig. B: Fixing to the plate with the special SQU L bracket.
- Fig. C: There are two robust rings on the plastic body for fixing the VNR L straight onto the wall.

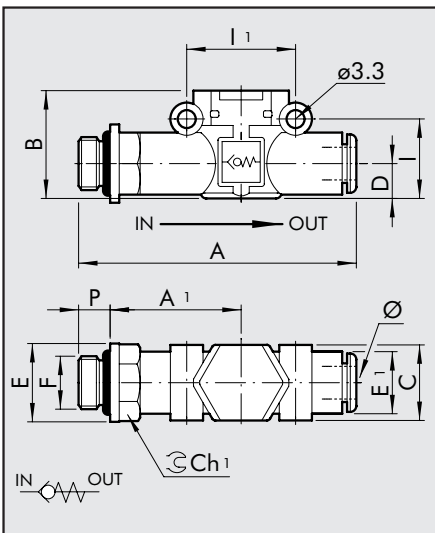
### OVERALL DIMENSIONS AND ORDERING CODES

VNR L PIPE-PIPE	Code	Ref.	Ø	A	B	C	D	E	I	I1
-----------------	------	------	---	---	---	---	---	---	---	----



9064016	VNR L 6-6	6	47	20	14.7	6.4	11.4	14.6	20
9064024	VNR L 8-8	8	55.5	25.5	18.7	9.1	13.8	18.7	24

VNR L THREAD-PIPE	Code	Ref.	F	Ø	P	A	A1	B	C	E	E1	I	I1	Ch
-------------------	------	------	---	---	---	---	----	---	---	---	----	---	----	----

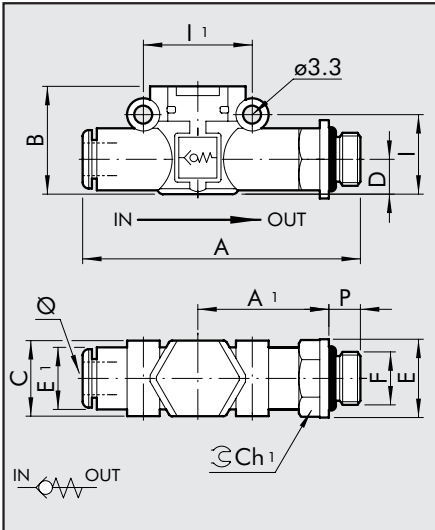


9064108	VNR L 1/8-6	1/8	6	6	57.3	27.8	20	14.7	14	11.4	14.6	20	12
9064109	VNR L 1/4-6	1/4	6	8	60.3	28.8	20	14.7	18	11.4	14.6	20	14
9064110	VNR L 1/8-8	1/8	8	6	65.3	31.8	25.5	18.7	15	13.8	18.7	24	14
9064111	VNR L 1/4-8	1/4	8	8	69.7	34.2	25.5	18.7	18	13.8	18.7	24	14
9064112	VNR L 3/8-8	3/8	8	9	71.3	34.8	25.5	18.7	22	13.8	18.7	24	17



### VNR L PIPE-THREAD

Code	Ref.	Ø	F	P	A	A1	B	C	E	E1	I	I1	Ch
9064208	VNR L 6-1/8	6	1/8	6	57.3	27.8	20	14.7	14	11.4	14.6	20	12
9064209	VNR L 6-1/4	6	1/4	8	60.3	28.8	20	14.7	18	11.4	14.6	20	14
9064210	VNR L 8-1/8	8	1/8	6	65.3	31.8	25.5	18.7	15	13.8	18.7	24	14
9064211	VNR L 8-1/4	8	1/4	8	69.7	34.2	25.5	18.7	18	13.8	18.7	24	14
9064212	VNR L 8-3/8	8	3/8	9	71.3	34.8	25.5	18.7	22	13.8	18.7	24	17



### NOTES