

# IN-LINE QUICK-EXHAUST VALVES

## Series VSR L

The VSR L quick-exhaust valve belongs to the LINE ON LINE® family, which means it can be connected to all the other components in series or in parallel.

Available in the version for pipe-pipe connection with two FOX push-in fittings, and in the version for thread-pipe connection with a brass nickel-plated male thread and a push-in fitting.

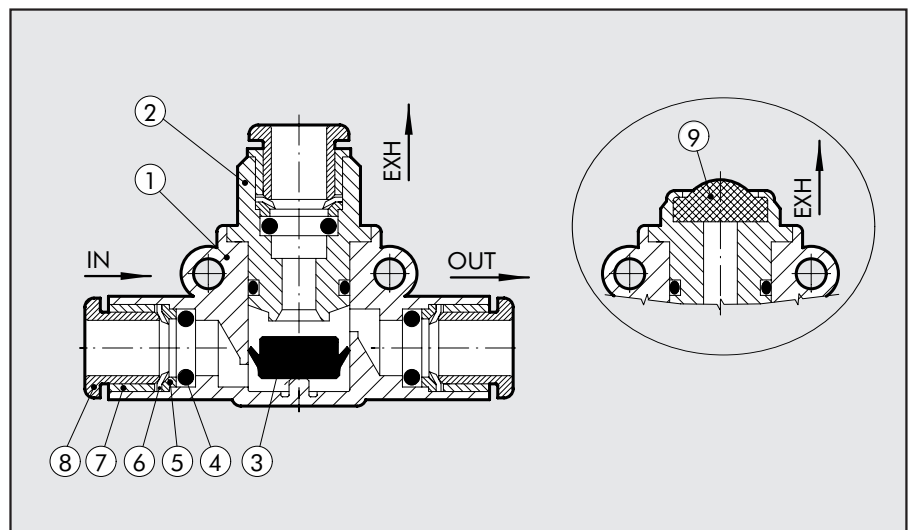
Exhaust can be silenced using a STAINLESS steel wire silencer, or conveyed using a FOX push-in fitting.



TECHNICAL DATA		Ø 6	Ø 8
Operating pressure	MPa	0.1 to 1	
	bar	1 to 10	
Temperature range	psi	7.2 to 145	
	°C	-20°C to +60°C	
	°F	-4°F to +140°F	
Inlet Flow rate at 6.3 bar ΔP 1 bar	NI/min	270	400
Exhaust Flow rate at 6.3 bar	NI/min	700	1000
Recommended pipe Fluid		Rilsan PA 11 – Nylon 6 – Polyamide 12 – Polypropylene lubricated or unlubricated filtered compressed air; if used, must be continuous	

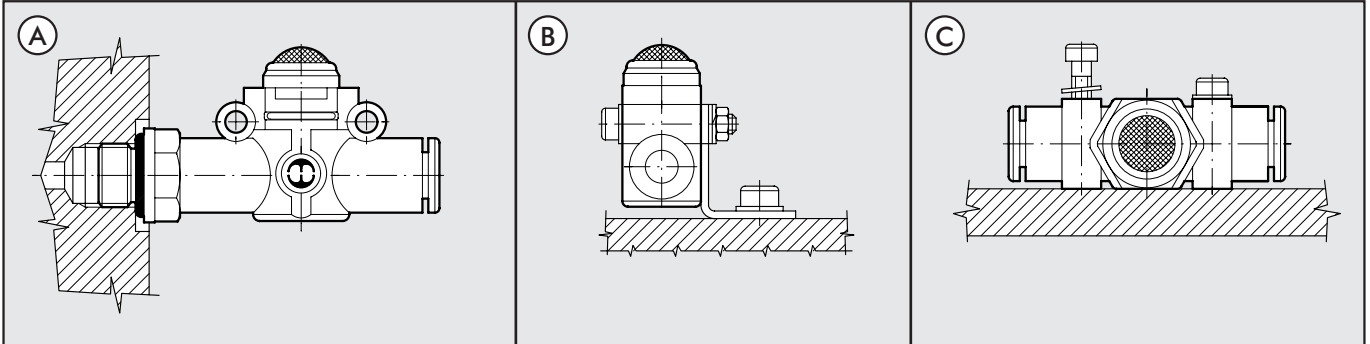
### COMPONENT PARTS

- ① Technopolymer body
- ② Nickel-plated brass insert
- ③ NBR valve
- ④ NBR gasket
- ⑤ Technopolymer spring ring
- ⑥ Stainless steel folding spring
- ⑦ Brass or technopolymer locking bushing
- ⑧ Technopolymer release bushing
- ⑨ Stainless steel wire silencer





## ASSEMBLY OPTIONS

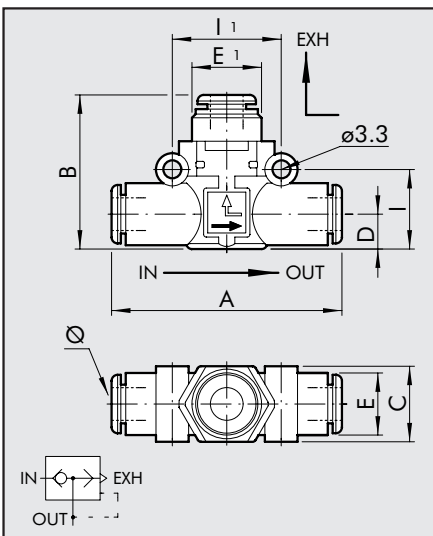


How to mount the VSR L:

- Fig. A: With the male threaded port it is possible to mount the RFL R straight onto the actuator.
- Fig. B: Fixing to the plate with the special SQU L bracket.
- Fig. C: There are two robust rings on the plastic body for fixing the RFL R straight onto the wall.

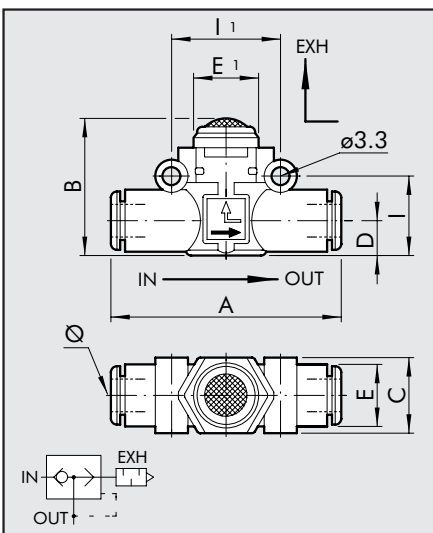
## OVERALL DIMENSIONS AND ORDERING CODES

### VSR L PIPE-PIPE, CONVEYED EXHAUST



Code	Ref.	Ø	A	B	C	D	E	E1	I	I1
9063016	VSR L 6-6-6	6	47	29	14.7	6.4	11.4	13	14.6	20
9063024	VSR L 8-8-8	8	55.5	35	18.7	9.1	13.8	15	18.7	24

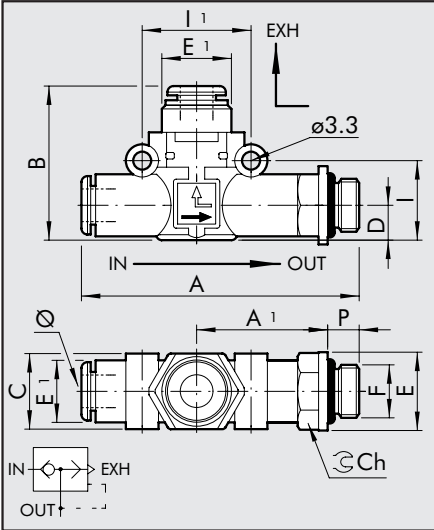
### VSR L PIPE-PIPE, SILENCED EXHAUST



Code	Ref.	Ø	A	B	C	D	E	E1	I	I1
9063116	VSR L 6-6-SIL	6	47	25.5	14.7	6.4	11.4	14	14.6	20
9063124	VSR L 8-8-SIL	8	55.5	31.5	18.7	9.1	13.8	18	18.7	24

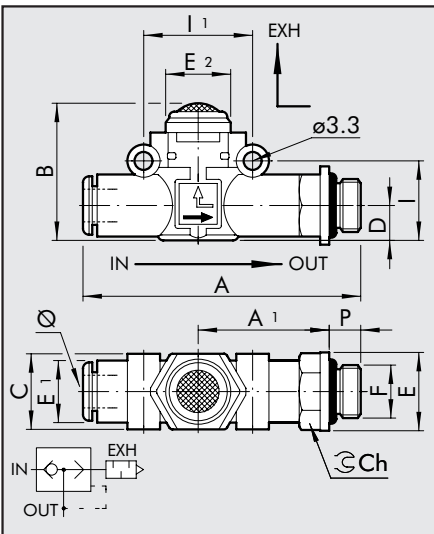
**VSR L PIPE-THREAD,  
CONVEYED EXHAUST**

Code	Ref.	Ø	F	P	A	A1	B	C	D	E	E1	E2	I	I1	Ch
9063208	VSR L 6-1/8-6	6	1/8	6	57.3	27.8	29	14.7	6.4	14	11.4	13	14.6	20	12
9063209	VSR L 6-1/4-6	6	1/4	8	60.3	28.8	29	14.7	6.4	18	11.4	13	14.6	20	14
9063210	VSR L 8-1/8-8	8	1/8	6	65.3	31.8	35	18.7	9.1	15	13.8	15	18.7	24	14
9063211	VSR L 8-1/4-8	8	1/4	8	69.7	34.2	35	18.7	9.1	18	13.8	15	18.7	24	14
9063212	VSR L 8-3/8-8	8	3/8	9	71.3	34.8	35	18.7	9.1	22	13.8	15	18.7	24	17



**VSR L PIPE-THREAD,  
SILENCED EXHAUST**

Code	Ref.	Ø	F	P	A	A1	B	C	D	E	E1	E2	I	I1	Ch
9063308	VSR L 6-1/8-SIL	6	1/8	6	57.3	27.8	25.5	14.7	6.4	14	11.4	14	14.6	20	12
9063309	VSR L 6-1/4-SIL	6	1/4	8	60.3	28.8	25.5	14.7	6.4	18	11.4	14	14.6	20	14
9063310	VSR L 8-1/8-SIL	8	1/8	6	65.3	31.8	31.5	18.7	9.1	15	13.8	18	18.7	24	14
9063311	VSR L 8-1/4-SIL	8	1/4	8	69.7	34.2	31.5	18.7	9.1	18	13.8	18	18.7	24	14
9063312	VSR L 8-3/8-SIL	8	3/8	9	71.3	34.8	31.5	18.7	9.1	22	13.8	18	18.7	24	17



**NOTE**