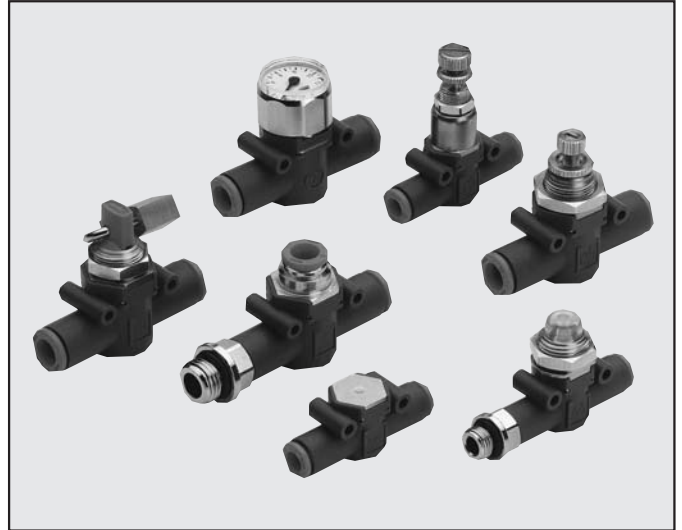


Line on Line is an exclusive range of products for mounting on pneumatic circuits. With these small, highly efficient components it is possible to perform all pneumatic functions at any point of the circuit.

Line on Line is ultra-modular - the components can be connected in parallel, in series or combined parallel/series. All Line on Line products are available for pipe-pipe connection with two FOX push-in fittings, or for thread-pipe connection with a brass nickel-plated male thread and a FOX push-in fitting.

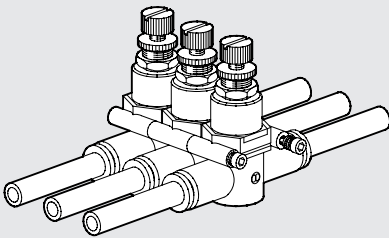
The body is made of technopolymer, giving a product that is extremely lightweight and compact.

One side of the body is marked with an indelible pneumatic symbol to facilitate identification and indicate the direction of flow.

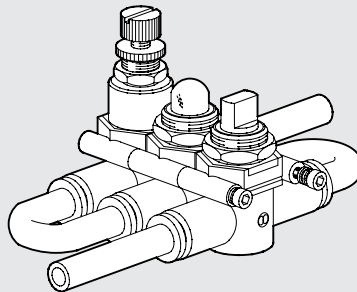


CONNECTION FREE

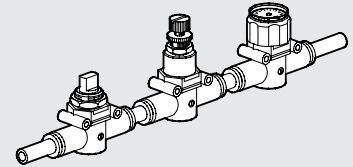
PARALLEL LINES



SERIAL LINE PARALLEL FITTING



SERIAL LINE IN-LINE FITTING



FIXING FREE

WALL FIXING

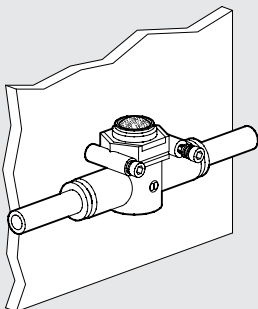
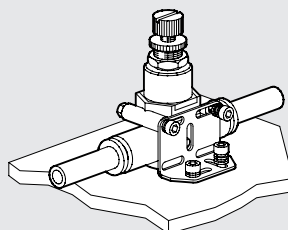
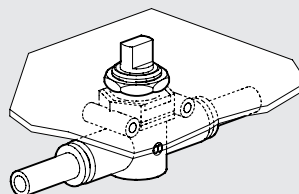


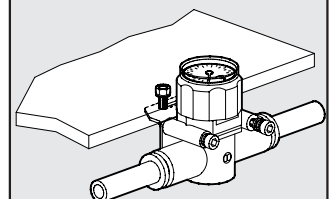
PLATE FIXING



PANEL FIXING

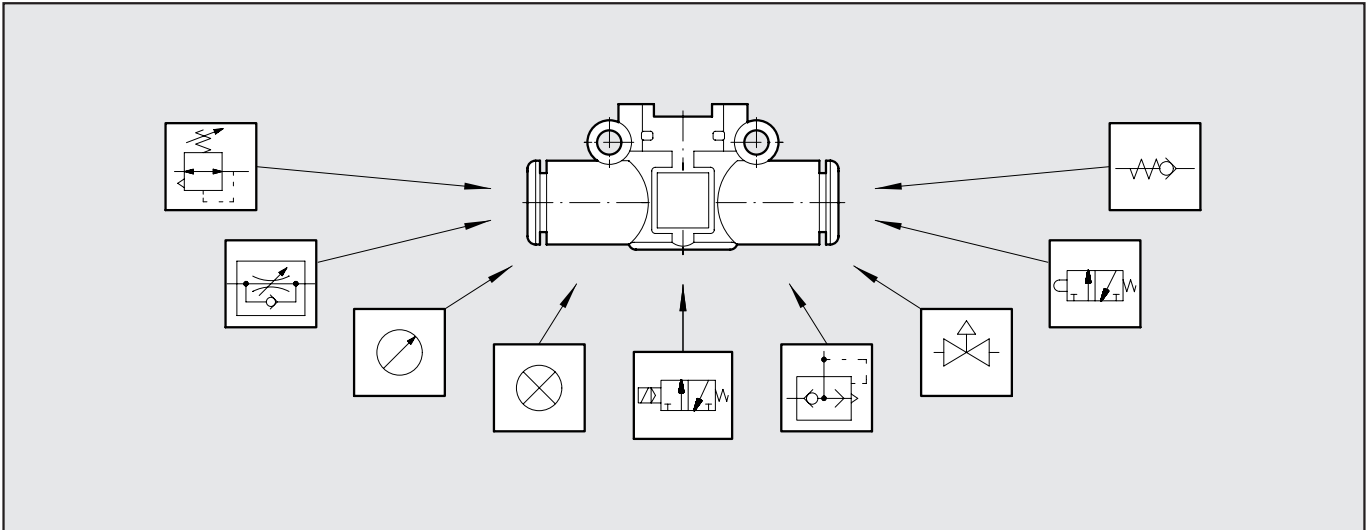


UNDER WALL FIXING

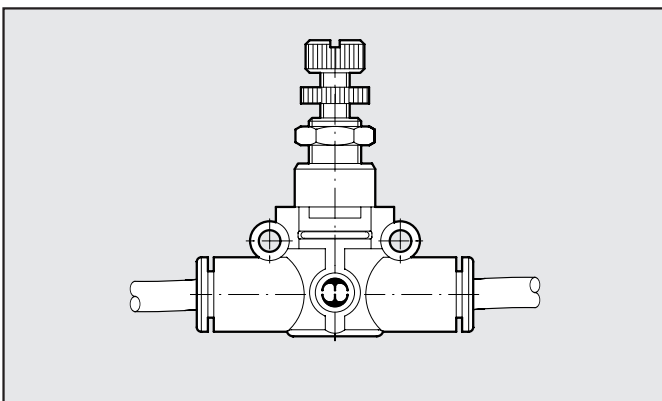




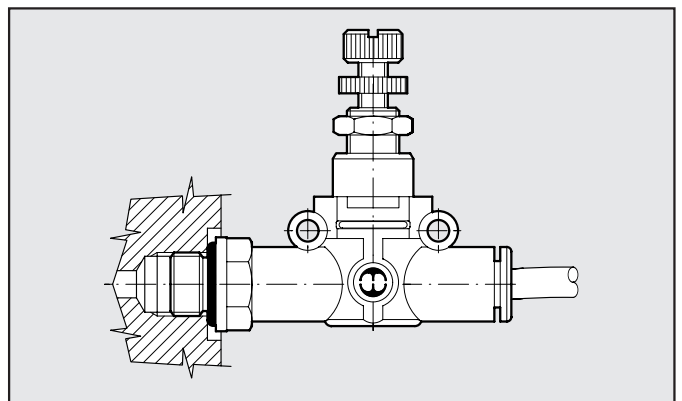
ALL THE PNEUMATIC FUNCTIONS WITH THE SAME EXTERNAL DIMENSIONS



PIPE-PIPE



THREAD-PIPE



APPLICATION EXAMPLE

