

Skillair® SHUT-OFF VALVE

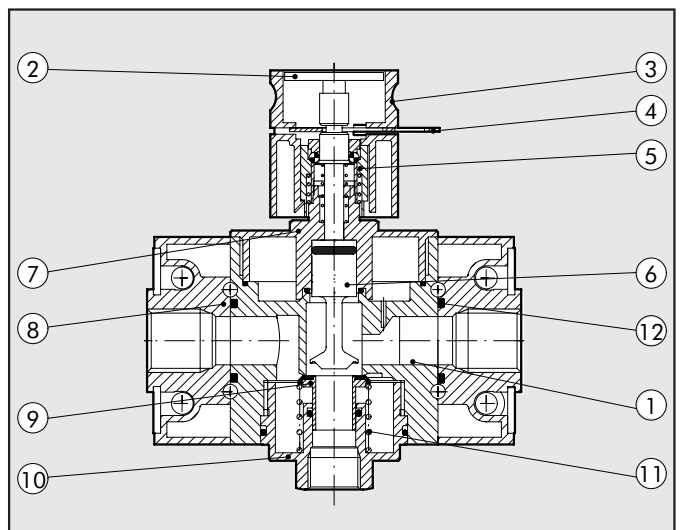
The job of this valve is to make the circuit independent from the air supply. It is basically a three-way valve. In the closed position, it cuts off the air supply and discharges the downstream circuit at the same time, which means it is particularly useful during servicing operations. The hand-operated version can be padlocked to lock the knob in a closed position so that it can only be opened by someone with the right key. An interlocked version is available for low pressure operation.

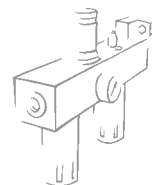


TECHNICAL DATA	V3V 100	V3V 100	V3V 200	V3V 200	V3V 200	V3V 300	V3V 300	V3V 300
Threaded port	G 1/4	G 3/8	G 1/4	G 3/8	G 1/2	G 1/2	G 3/4	G 1"
Min. inlet pressure for solenoid version **	MPa	0.3		0.3			0.2	
	bar	3		3			2	
	psi	43.5		43.5			29	
Max. inlet pressure*	MPa	1.5		1.3			1.3	
	bar	15		13			13	
	psi	217		188			188	
Flow rate at 6.3 bar (0.63 MPa-91 psi)	NI/min	1300		2400			3200	
ΔP 0.5 bar (0.05 MPa – 7 psi)	scfm	46		85			113	
Flow rate at 6.3 bar (0.63 MPa-91 psi)	NI/min	1650		3000			4700	
ΔP 1 bar (0.1 MPa – 14 psi)	scfm	58		106			166	
Fluid	Filtered, lubricated or unlubricated compressed air. Lubrication, if used, must be continuous							
Max temperature	°C	50		50			50	
	°F	122		122			122	
Weight	Kg	~ 0.5		~ 0.8			~ 1.2	
Wall fixing screws		M4 x 50		M5 x 60			M5 x 70	
Mounting	In any position							
Type of control	Manual – Pneumatic – Solenoid – Solenoid pilot-assisted							
* 1 MPa – 10 bar – 145 psi for solenoid version								
** 0.01 MPa – 0.1 bar – 1.45 psi for manual, pneumatic and pilot-assisted versions with controls min. 0.3 MPa 3 bar 43.5 psi.								

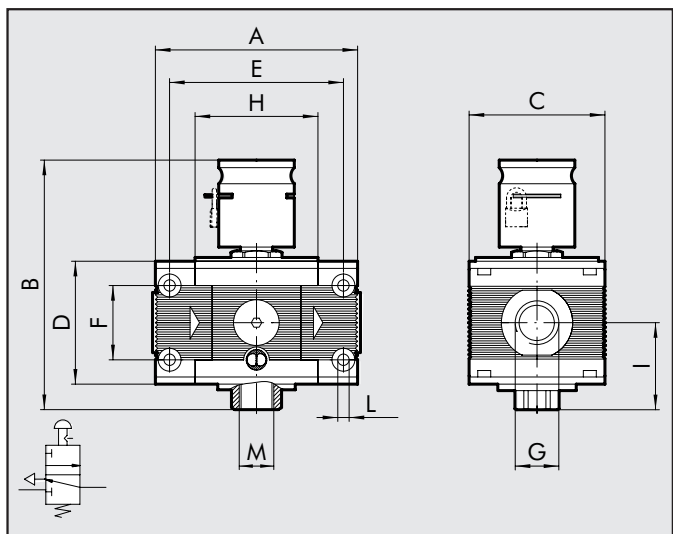
COMPONENTS

- ① Technopolymer body
- ② Operating button
- ③ Technopolymer knob
- ④ Stainless steel safety lamination
- ⑤ Locking unit
- ⑥ OT58 brass piston rod
- ⑦ OT58 brass top plug
- ⑧ Zamak end plate
- ⑨ Valve with vulcanized NBR gasket
- ⑩ OT58 brass bottom plug
- ⑪ Stainless steel valve spring
- ⑫ NBR gaskets



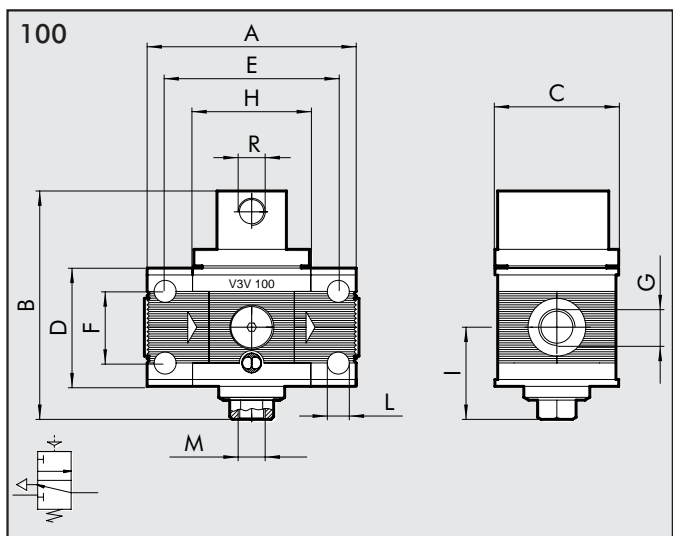


DIMENSIONS OF V3V MANUAL VERSION (LOCKABLE)

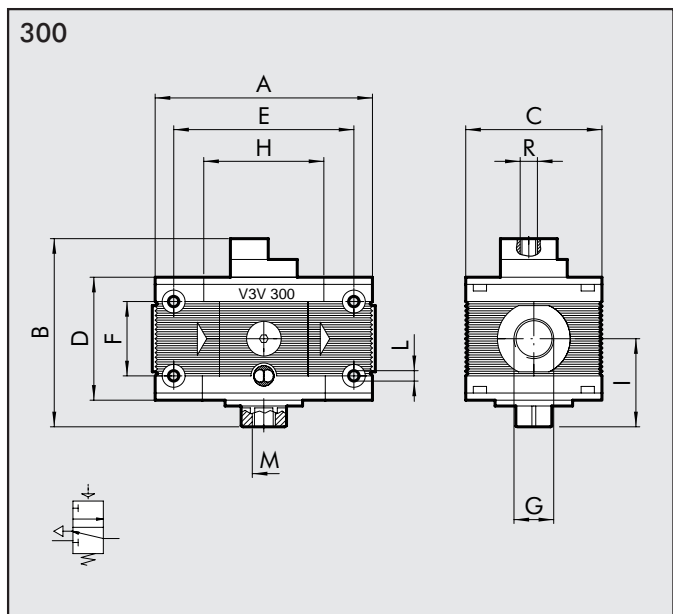
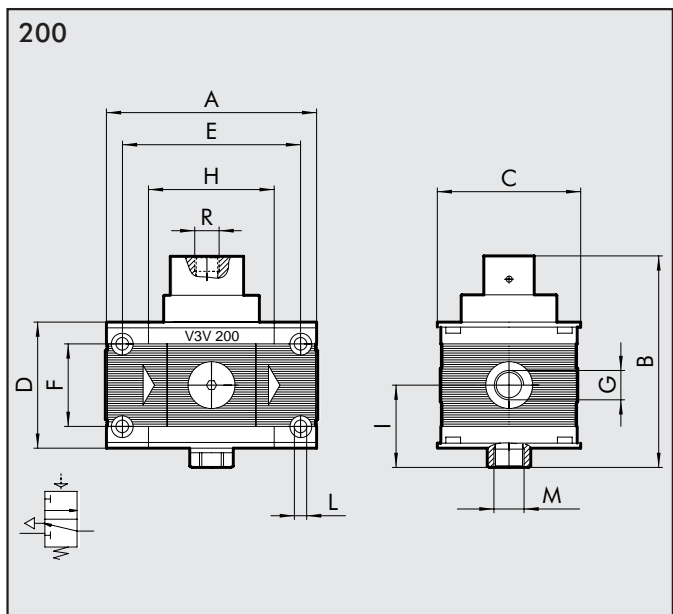


	V3V 100	V3V 100	V3V 200	V3V 200	V3V 200	V3V 300	V3V 300	V3V 300
Thr. p.	G 1/4	G 3/8	G 1/4	G 3/8	G 1/2	G 1/2	G 3/4	G 1"
A	78			93.5		110		112
B	106			119			132	
C	50			63			72	
D	43			55			65	
E	63			78.5			92	
F	26			36			42	
G	G 1/4	G 3/8	G 1/4	G 3/8	G 1/2	G 1/2	G 3/4	G 1"
H	43			55.5			65	
I	33.5			40			46.5	
L	M4 hole			M5 hole			M5 hole	
M	G 1/8			G 1/4			G 3/8	
(relief)								

DIMENSIONS OF V3V PNEUMATIC VERSION

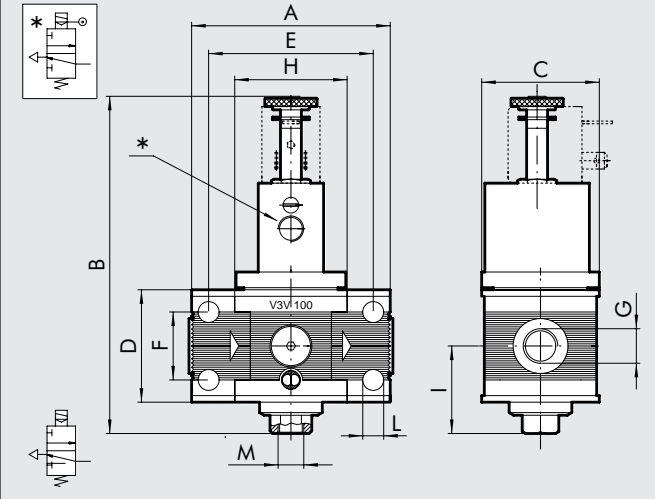


	V3V 100	V3V 100	V3V 200	V3V 200	V3V 200	V3V 300	V3V 300	V3V 300
Thr. p.	G 1/4	G 3/8	G 1/4	G 3/8	G 1/2	G 1/2	G 3/4	G 1"
A	78			93.5		110		112
B	83			96			106	
C	50			63			72	
D	43			55			65	
E	63			78.5			92	
F	26			36			42	
G	G 1/4	G 3/8	G 1/4	G 3/8	G 1/2	G 1/2	G 3/4	G 1"
H	43			55.5			65	
I	33.5			40			46.5	
L	M4 hole			M5 hole			M5 hole	
M	G 1/8			G 1/4			G 3/8	
(relief)								
R	G 1/8			G 1/8			G 1/8	
(pilot)								



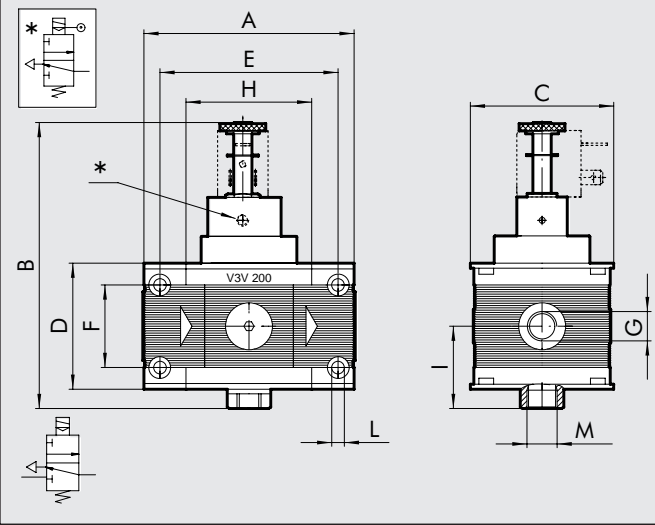
DIMENSIONS OF V3V SOLENOID/SOLENOID PILOT-ASSISTED VALVE

V3V 100 SOLENOID/SOLENOID PILOT-ASSISTED VALVE

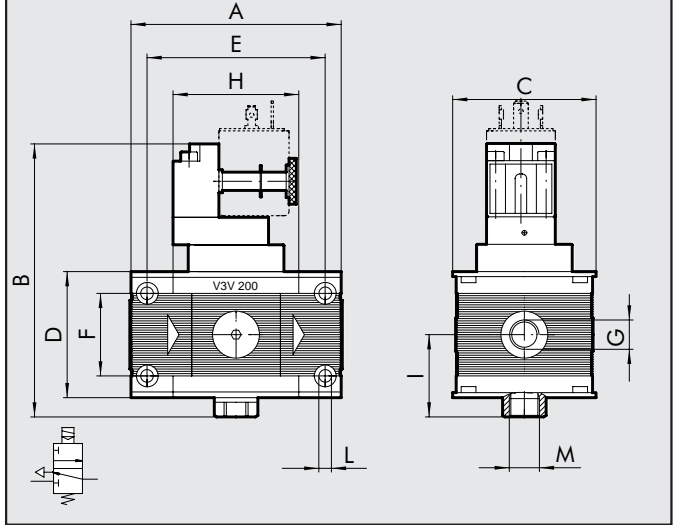


	V3V 100		V3V 200			V3V 300		
Threaded port	G 1/4	G 3/8	G 1/4	G 3/8	G 1/2	G 1/2	G 3/4	G 1"
A	78		93.5			110		112
B	128		129			152		
Solenoid pilot-ass.	129		129			-		
CNOMO control	-		123			125		
CNOMO pilot-ass.	-		-			138		
Microsol control	-		-			124		
C	50		63			72		
D	43		55			65		
E	63		78.5			92		
F	26		36			42		
G	G 1/4	G 3/8	G 1/4	G 3/8	G 1/2	G 1/2	G 3/4	G 1"
H	43		55.5			65		
I	33.5		40			46.5		
L	M4 hole		M5 hole			M5 hole		
M (relief)	G 1/8		G 1/4			G 3/8		
* (pilot)	G 1/8		M5			M5		

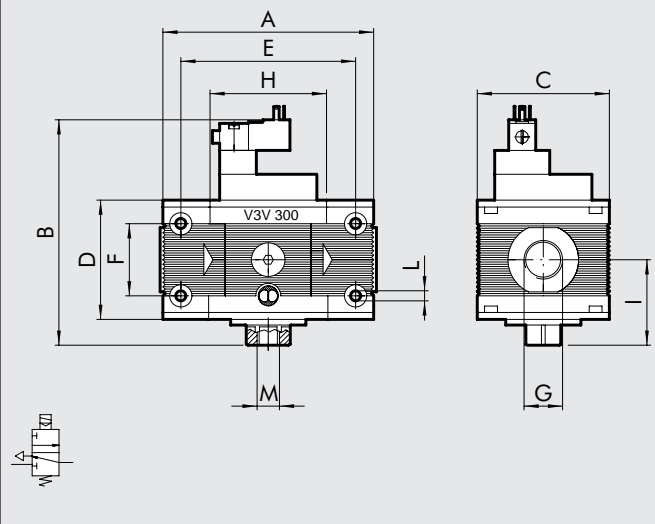
V3V 200 SOLENOID/SOLENOID PILOT-ASSISTED VALVE



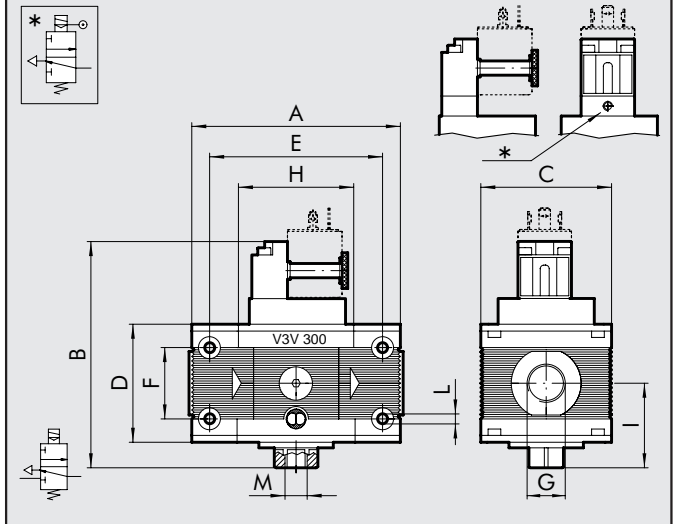
V3V 200 CNOMO

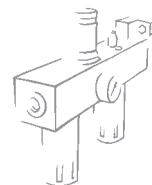


V3V 300 SOLENOID MICRO VALVE



**V3V 300 CNOMO SOLENOID VALVE/
CNOMO SOLENOID PILOT-ASSISTED**





Skillair® 400 SHUT-OFF VALVE

The main module of size 400 is now available with manual key-operated, pneumatic, solenoid and solenoid pilot-assisted.

N.B. With size 400, when the V3V is mounted upstream of the regulator, the pilot regulator must be piloted at a pressure taken upstream of the V3V, otherwise when the system is relieved, most of the air downstream will be relieved by the regulator and not the V3V relief port. For connecting instruction see page 3.1/15.



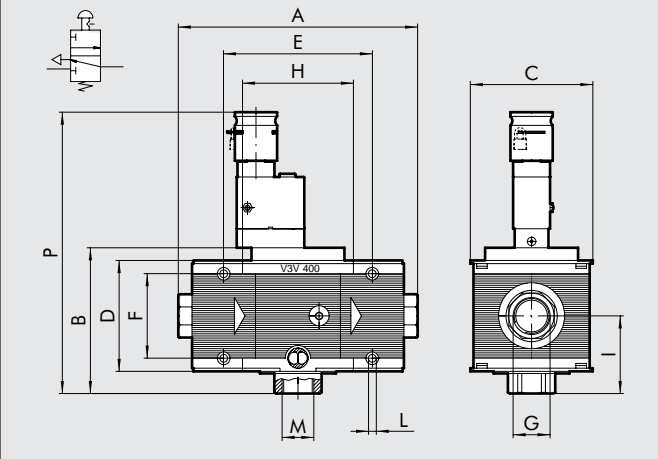
TECHNICAL DATA	V3V 400	V3V 400	V3V 400	V3V 400
Threaded port	G 1"	G 1"1/4	G 1"1/2	G 2"
Min. inlet pressure **			0.3	
			3	
			43.5	
Max. inlet pressure*			1.3	
			13	
			188	
Flow rate at 6.3 bar (0.63 MPa-91 psi)		13000 NI/min		14000 NI/min
ΔP 0.5 bar (0.05 MPa – 7 psi)		460 scfm		494 scfm
Fluid	Filtered, lubricated or unlubricated compressed air. Lubrication, if used, must be continuous			
Temperatura max.		50		
		122		
Weight		4.8		5.6
Wall fixing screws	M6x110			
Mounting	In any position			
Type of control	Manual – Key-operated- Pneumatic – Solenoid – Solenoid pilot-assisted			
Notes:	The end plates in the 400 series have a patented system with a rotary and sliding end joint to adapt the unit perfectly to the pipe cutting distance.			

* 1 MPa – 10 bar – 145 psi for solenoid version

** 0.01 MPa – 0.1 bar – 1.45 psi for pneumatic and pilot-assisted versions with controls at min. 0.3 MPa 3 bar 43.5 psi.

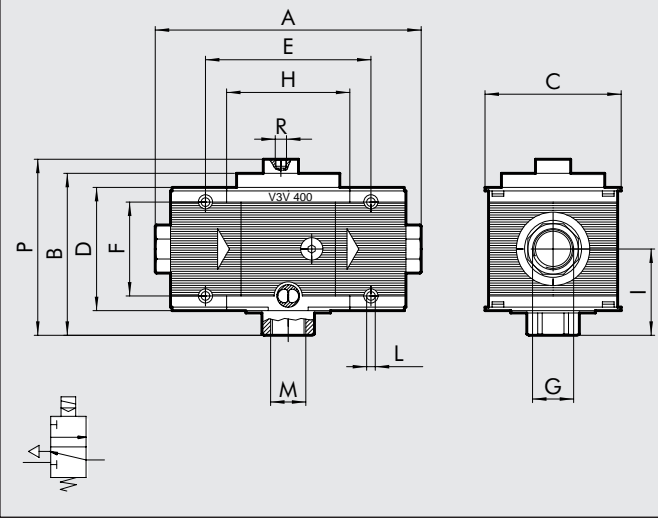
DIMENSIONS OF V3V 400 VALVE

V3V 400 MANUAL (LOCKABLE)

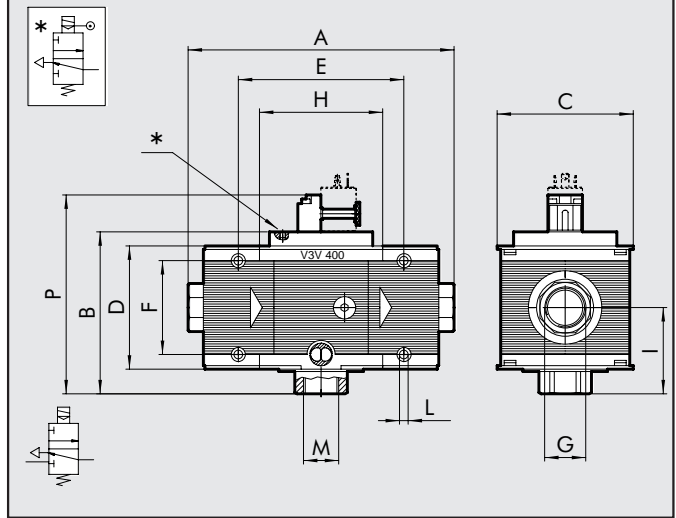


	V3V 400	V3V 400	V3V 400	V3V 400
Threaded port	G 1"	G 1"1/4	G 1"1/2	G 2"
A	225÷255			283÷313
B	137			
C	116			
D	105			
E	141.4			
F	80			
G	G 1"	G 1"1/4	G 1"1/2	G 2"
H	105.4			
I	72.5			
L	M6 hole			
M (relief)	G 1"			
P Manual	266			
Key-operated	249			
CNOMO control	169			
Pneumatic control	150			
R (pilot)	G 1/8			
* (pilot-assisted)	M5			

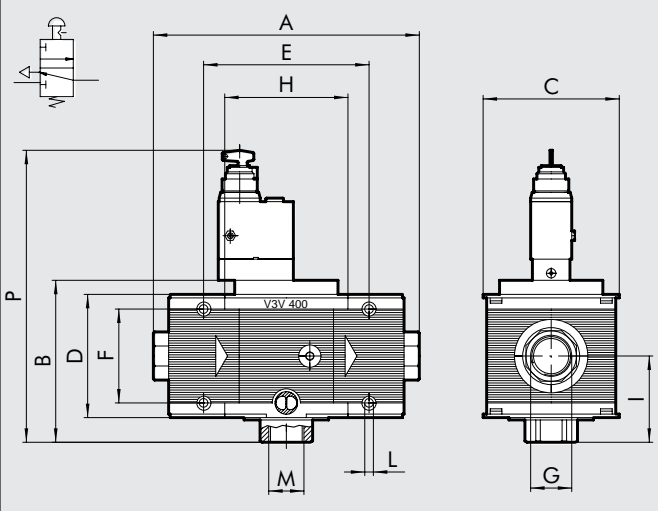
V3V 400 PNEUMATIC

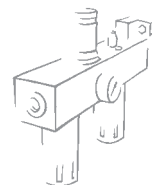


V3V 200 SOLENOID CNOMO/SOLENOID PILOT-ASSISTED



V3V 400 KEY-OPERATED





KEY TO CODES

V3V ELEMENT	100 SIZE	1/4 THREADED PORT	MANUAL TYPE OF COMMAND
V3V	100	1/4	MANUAL
		3/8	
	200	1/4	PNEUMATIC
		3/8	
		1	
	300	1/2	SOLENOID PILOT ASSISTED
		3/4	
		1	
	400	1	SOLENOID
		1 1/4	
		1 1/2	
		2	

ORDERING CODES

Code	Description	Code	Description	Code	Description			
SKILLAIR 100 3-WAY VALVE			SKILLAIR 300 3-WAY VALVE			SKILLAIR 400 3-WAY VALVE		
3270001A	V3V 100 LOCKABLE WITHOUT END PLATES	4470001A	V3V 300 LOCKABLE WITHOUT END PLATES	6169010A	V3V 400 KEY-OPERATED WITHOUT END PLATES			
3269000A	V3V 100 PNEUM. WITHOUT END PLATES	4469000A	V3V 300 PNEUM. WITHOUT END PLATES	6169000A	V3V 400 PNEUM. WITHOUT END PLATES			
3269001A	V3V 100 SOLENOID WITHOUT END PLATES	4469006A	V3V 300 SOL. MICRO 24V DC W/END P.	6169004A	V3V 400 SOL. PILOT-ASSISTED W/END PLATES			
3269002A	V3V 100 SOL. PILOT-ASS. W/END PLATES	4469007A	V3V 300 SOL. MICRO 24V 50/60HZ W/END P.	6169005A	V3V 400 SOLENOID CNOMO			
3270001	V3V 100 1/4	4469008A	V3V 300 SOL. MICRO 110V 50/60HZ W/END		PILOT-ASSISTED WITHOUT END PLATES			
3269000	V3V 100 1/4 PNEUM.	P.4469009A	V3V 300 SOL. MICRO 220V 50/60HZ W/END	6170002A	V3V 400 LOCKABLE WITHOUT END PLATES			
3269001	V3V 100 1/4 SOLENOID	P.4469004A	V3V 300 SOL. CNOMO COMM. W/ END P.	6169010	V3V 400 1 KEY-OPERATED			
3269002	V3V 100 1/4 SOLENOID PILOT-ASS.	4469005A	V3V 300 SOL. CNOMO COMM. ASS. W/ END P.	6169000	V3V 400 1 PNEUMATIC			
3370001	V3V 100 3/8	4470001	V3V 300 1/2 LOCKABLE	6169004	V3V 400 1 CNOMO SOLENOID			
3369000	V3V 100 3/8 PNEUM.	4469000	V3V 300 1/2 PNEUM.	6169005	V3V 400 1 CNOMO SOL. PILOT-ASSISTED			
3369001	V3V 100 3/8 ELPN.	4469006	V3V 300 1/2 SOLENOID MICRO 24V DC	6269010	V3V 400 1 1/4 KEY-OPERATED			
3369002	V3V 100 3/8 SOLENOID PILOT-ASS.	4469007	V3V 300 1/2 SOL. MICRO 24V 50/60HZ	6269000	V3V 400 1 1/4 PNEUMATIC			
SKILLAIR 200 3-WAY VALVE			4469008	V3V 300 1/2 SOL. MICRO 110V 50/60HZ	6269004	V3V 400 1 1/4 CNOMO SOLENOID		
3470001A	V3V 200 LOCKABLE WITHOUT END PLATES	4469009	V3V 300 1/2 SOL. MICRO 220V 50/60HZ	6269005	V3V 400 1 1/4 CNOMO SOLENOID			
3469000A	V3V 200 PNEUM. WITHOUT END PLATES	4469004	V3V 300 1/2 SOLENOID CNOMO		PILOT-ASSISTED			
3469001A	V3V 200 SOL. WITHOUT END PLATES	4469005	V3V 300 1/2 SOL. CNOMO ASS.	6369010	V3V 400 1 1/2 KEY-OPERATED			
3469002A	V3V 200 SOL. PILOT-ASS. W/END PLATES	4570001	V3V 300 3/4 LOCKABLE	6369000	V3V 400 1 1/2 PNEUMATIC			
3469004A	V3V 200 SOL. CNOMO COMM. W/END PLATES	4569000	V3V 300 3/4 PNEUM.	6369004	V3V 400 1 1/2 CNOMO SOLENOID			
3469005A	V3V 200 SOL. CNOMO COMM. ASS. W/END PLATES	4569006	V3V 300 3/4 SOL. MICRO 24V DC	6369005	V3V 400 1 1/2 CNOMO SOLENOID			
3470001	V3V 200 1/4 LOCKABLE	4569007	V3V 300 3/4 SOL. MICRO 24V 50/60HZ		PILOT-ASSISTED			
3469000	V3V 200 1/4 PNEUM.	4569008	V3V 300 3/4 SOL. MICRO 110V 50/60HZ	6469010	V3V 400 2 KEY-OPERATED			
3469001	V3V 200 1/4 SOLENOID	4569009	V3V 300 3/4 SOL. MICRO 220V 50/60HZ	6469000	V3V 400 2 PNEUMATIC			
3469002	V3V 200 1/4 SOLENOID PILOT-ASS.	4569004	V3V 300 3/4 SOL. CNOMO	6469004	V3V 400 2 CNOMO SOLENOID			
3469004	V3V 200 1/4 SOL. CNOMO COM.	4569005	V3V 300 3/4 SOL. CNOMO ASS.	6469005	V3V 400 2 CNOMO SOLENOID			
3469005	V3V 200 1/4 SOL. CNOMO PILOT-ASS.	4669000	V3V 300 1 PNEUM.		PILOT-ASSISTED			
3570001	V3V 200 3/8 LOCKABLE	4669006	V3V 300 1 SOL. MICRO 24V DC	6170002	V3V 400 1" LOCKABLE			
3569000	V3V 200 3/8 PNEUM.	4669007	V3V 300 1 SOL. MICRO 24V 50/60HZ	6270002	V3V 400 1 1/4" LOCKABLE			
3569001	V3V 200 3/8 SOLENOID	4669008	V3V 300 1 SOL. MICRO 110V 50/60HZ	6370002	V3V 400 1 1/2" LOCKABLE			
3569002	V3V 200 3/8 SOLENOID PILOT-ASS.	4669009	V3V 300 1 SOL. MICRO 220V 50/60HZ	6470002	V3V 400 2" LOCKABLE			
3569004	V3V 200 3/8 SOLENOID CNOMO CMM.	4669004	V3V 300 1 SOL. CNOMO					
3569005	V3V 200 3/8 SOL. CNOMO PILOT-ASS..	4669005	V3V 300 1 SOL. CNOMO ASS.					
3670001	V3V 200 1/2 LOCKABLE	4670001	V3V 300 1 LOCKABLE					
3669000	V3V 200 1/2 PNEUM.							
3669001	V3V 200 1/2 SOLENOID							
3669002	V3V 200 1/2 SOLENOID PILOT-ASS.							
3669004	V3V 200 1/2 SOL. CNOMO COMM.							
3669005	V3V 200 1/2 SOL. CNOMO PILOT-ASS.							