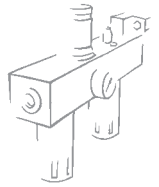


# New deal DEPURATOR

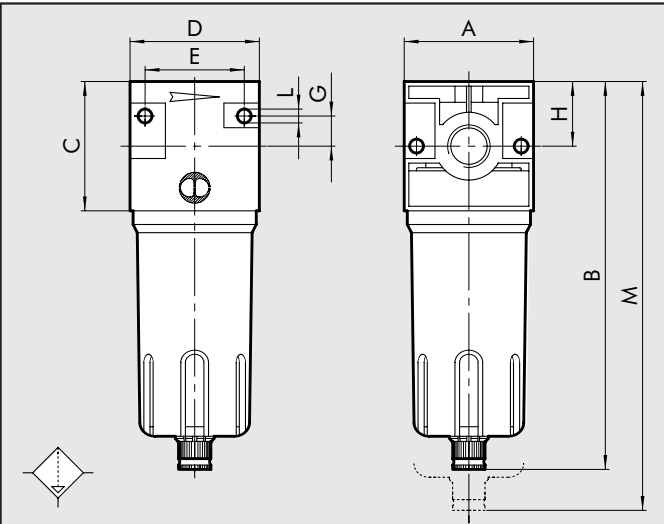


- Oil-proof deparator with coalescing cartridge
- Metal bowl with external viewing
  - Manual/semi-auto or automatic condensate drain



| TECHNICAL DATA                            | DEP ND 3/8"  | DEP ND 1/2" |
|---|--|-------------|
|   | Threaded port  | 3/8"        |
| Degree of depuration                      | 99,97% at 0,01 μm  |             |
| Max. inlet pressure                       | 1.8 MPa - 18 bar - 261 psi   |             |
| Flow rate at 6.3 bar (0.63 MPa ÷ 91 psi)  | Nl/min   | 1000        |
| ΔP 0.5 bar (0.05 MPa ÷ 7 psi)             | scfm   | 36          |
| Flow rate at 6.3 bar (0.63 MPa ÷ 91 psi)  | Nl/min   | 1600        |
| ΔP 1 bar (0.1 MPa ÷ 14 psi)               | scfm   | 57          |
| Recommended flow rate at 6 bar            | 230 Nl/min (8 scfm)  |             |
| Fluid                                     | Filtered 4 μm compressed air   |             |
| Max temperature at 1 MPa; 10 bar; 145 psi | °C   | 50°         |
|   | °F   | 122°        |
| Weight                                    | Kg   | 0.9         |
| Wall fixing screws                        | M4x55  |             |
| Mounting position                         | Vertical   |             |
| Condensate drain                          | Manual/semi-automatic (RMSA) - Automatic (RA o SAC)                                    |             |
| Bowl capacity                             | cm <sup>3</sup>  | 45          |
| Notes:                                    | It is advisable to mount a 4 μ filter upstream the deparator acting as a rough filter. |             |

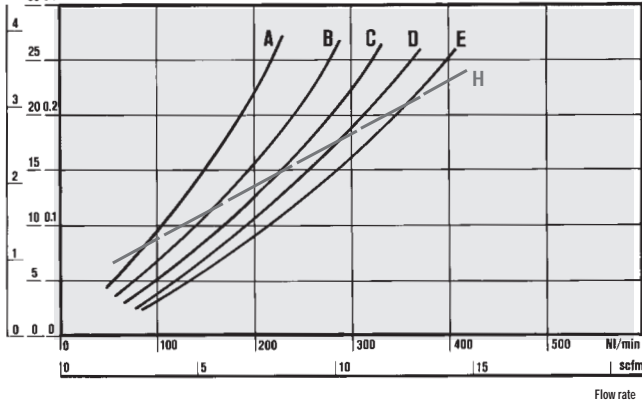
3

| DIMENSIONS | G 3/8   | G 1/2   |
|------------|---|---------|
|            |  |         |
| A          |   | 60      |
| B          |   | 180     |
| C          |   | 60      |
| D          |   | 60      |
| E          |   | 46      |
| G          |   | 14      |
| H          |   | 30      |
| L          |   | 4M hole |
| M          |   | 230     |

## FLOW CHARTS

### D 3/8 - 1/2

$\Delta P = (P_m - P_v)$   
psi KPa bar  
30 0.3



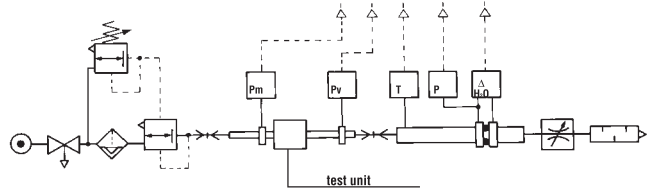
(H) Maximum flow rate recommended for optimal operation.

### KEY TO CODES

| DEP ELEMENT | 3/8 THREADED PORT | RMSA CONDENSATE DRAIN |
|-------------|-------------------|-----------------------|
| DEP         | 3/8               | RMSA                  |
|             | 1/2               | RA                    |
|             |                   | SAC                   |

RMSA: Manual/semi-auto drain  
RA: Automatic drain. Float-type operation irrespective of the pressure and flow rate.

### NOTES



• Flow tests carried out at the Department of Mechanics, Turin Polytechnic, using the computerized test bench following CETOP RP50R recommendations (ISO DIS 6358-2-approved) with ISO 5167 diaphragm gauge.

(A) = 2 bar - 0,2 MPa - 29 psi  
(B) = 4 bar - 0,4 MPa - 58 psi  
(C) = 6 bar - 0,6 MPa - 87 psi

(D) = 8 bar - 0,8 MPa - 116 psi  
(E) = 10 bar - 1 MPa - 145 psi

### ORDERING CODES

| Code    | Description         |
|---------|---------------------|
| 1322002 | D. DEP 3/8 RMSA TMV |
| 1322003 | D. DEP 3/8 RA TMV   |
| 1322004 | D. DEP 3/8 SAC      |
| 1422002 | D. DEP 1/2 RMSA TMV |
| 1422003 | D. DEP 1/2 RA TMV   |
| 1422004 | D. DEP 1/2 SAC      |

### NOTES