

FLOW MICROREGULATOR Series COMPACT N and O

FLOW MICROREGULATOR

Main features:

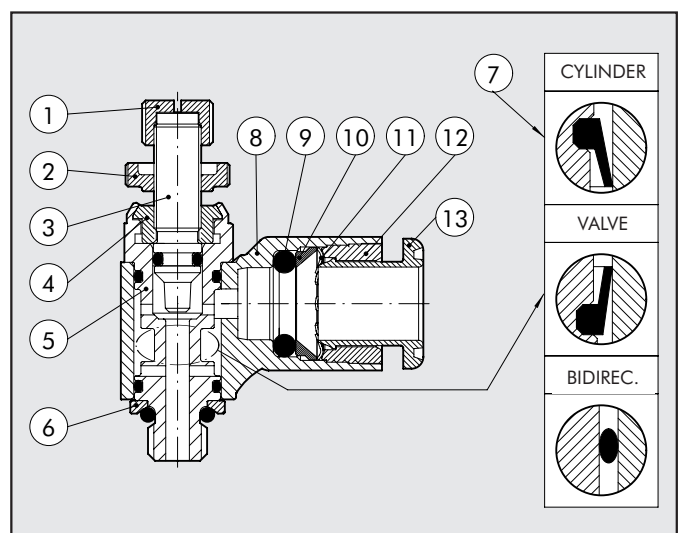
- reduced dimensions
- excellent regulation
- regulation with a screwdriver and disposable anti-tampering cap (COMPACT O)
- regulation with either a screwdriver and/or a knob, can be fixed with a ring nut (COMPACT N)
- available in all sizes (from M5 to 1/2") with a brass or a technopolymer ring
- can be mounted with an automatic screwdriver
- comes with a ring that can rotate even with the MRF mounted in position.



TECHNICAL DATA	M5			1/8"				1/4"				3/8"		1/2"	
	Ø 4	Ø 5*	Ø 6	Ø 4	Ø 5*	Ø 6	Ø 8	Ø 6	Ø 8	Ø 10	Ø 12	Ø 10	Ø 12	Ø 12	
Pipe															
Max input pressure	MPa			1											
	bar			10											
	psi			145											
Temperature range: technopolymer ring	°C			-10 ÷ +50											
	°F			+14 ÷ +122											
Brass ring	°C			-10 ÷ +70											
	°F			+14 ÷ +158											
Max flow rate on regulation at 6.3 bar	Nl/min	150	155	155	350	360	380	400	750	850	950	1000	1300	1400	2000
Max flow rate on exhaust at 6.3 bar with closed pin	Nl/min	140	145	150	300	320	350	390	450	475	500	550	1050	1250	1750
Max flow rate on exhaust at 6.3 bar with open pin	Nl/min	240	245	245	450	510	600	650	850	1050	1150	1250	1700	2100	2700
Regulation	Manual (COMPACT N only) or using a screwdriver														
Internal system	Tapered pin														
Fluid	Filtered, lubricated or unlubricated compressed air														
* Pipe Ø5 is only available with a brass ring															

TYPE N COMPONENTS - M5 THREAD

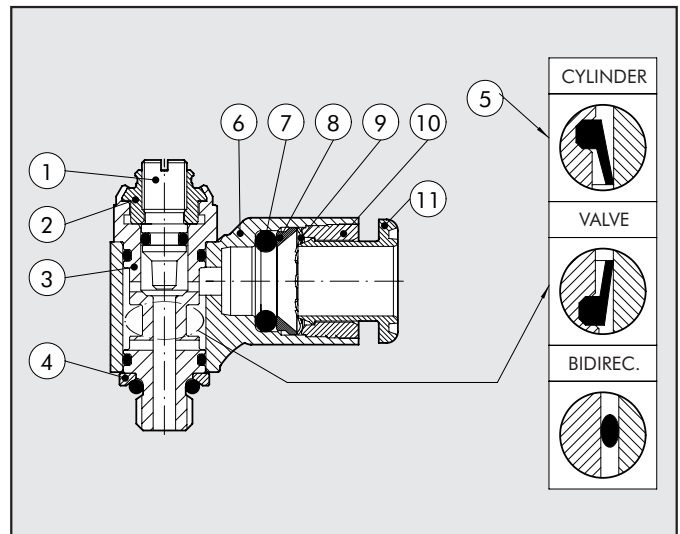
- ① Nickel-plated brass knob
- ② Nickel-plated brass securing ring nut
- ③ Brass pin
- ④ Nickel-plated brass bush
- ⑤ Nickel-plated brass body
- ⑥ Nickel-plated brass retaining ring
- ⑦ NBR gasket
- ⑧ Nickel-plated or technopolymer brass revolving ring
- ⑨ NBR gasket
- ⑩ Technopolymer spring supporting ring
- ⑪ Stainless steel grabbing spring
- ⑫ Technopolymer retaining bush
- ⑬ Technopolymer release bush





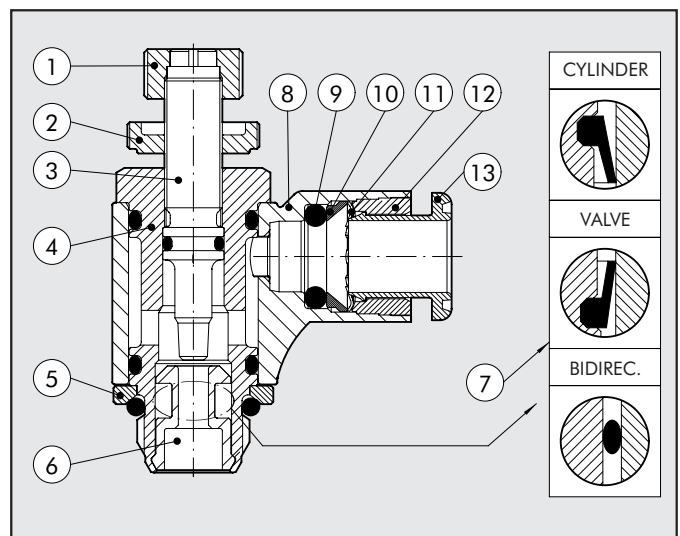
TYPE O COMPONENTS - M5 THREAD

- ① Brass pin
- ② Nickel-plated brass bush
- ③ Nickel-plated brass body
- ④ Nickel-plated brass retaining ring
- ⑤ NBR gasket
- ⑥ Nickel-plated or technopolymer brass revolving ring
- ⑦ NBR gasket
- ⑧ Technopolymer spring supporting ring
- ⑨ Stainless steel grabbing spring
- ⑩ Technopolymer retaining bush
- ⑪ Technopolymer release bush



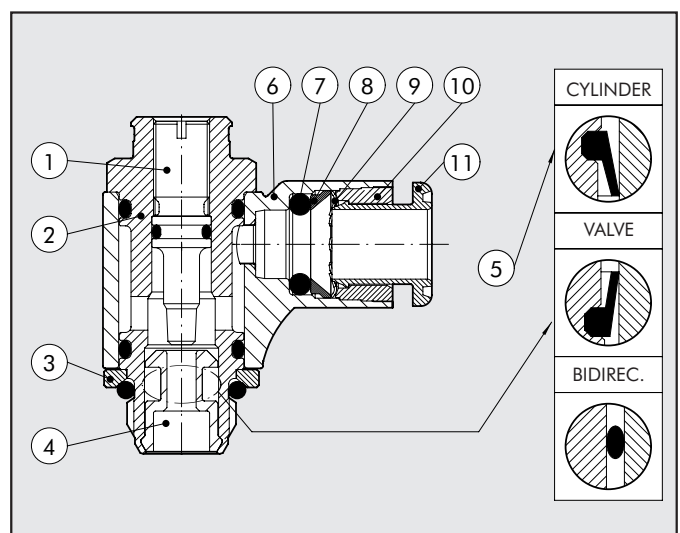
TYPE N COMPONENTS - THREAD 1/8" TO 1/2"

- ① Nickel-plated brass knob
- ② Nickel-plated brass securing ring nut
- ③ Brass pin
- ④ Nickel-plated brass body
- ⑤ Nickel-plated brass retaining ring
- ⑥ Brass gasket holding insert
- ⑦ NBR gasket
- ⑧ Nickel-plated or technopolymer brass revolving ring
- ⑨ NBR gasket
- ⑩ Technopolymer spring supporting ring
- ⑪ Stainless steel grabbing spring
- ⑫ Technopolymer retaining bush
- ⑬ Technopolymer release bush

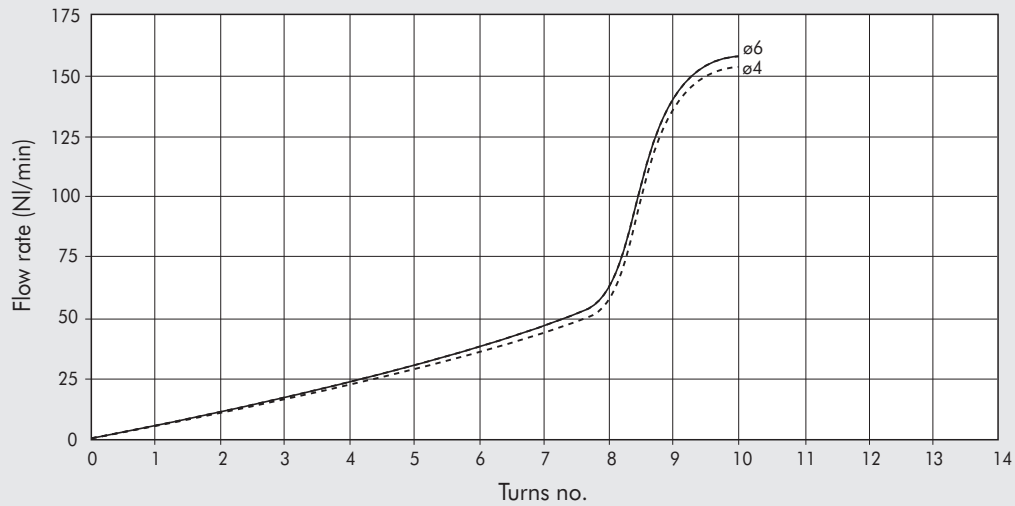


TYPE O COMPONENTS - THREAD FROM 1/8" TO 1/2"

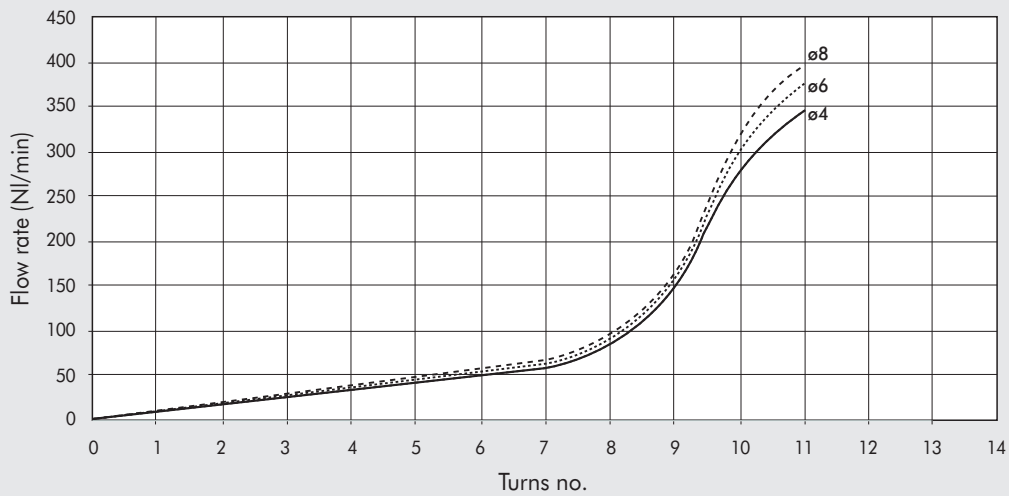
- ① Brass pin
- ② Nickel-plated brass body
- ③ Nickel-plated brass retaining ring
- ④ Brass gasket holding insert
- ⑤ NBR gasket
- ⑥ Nickel-plated or technopolymer brass revolving ring
- ⑦ NBR gasket
- ⑧ Technopolymer spring supporting ring
- ⑨ Stainless steel grabbing spring
- ⑩ Technopolymer retaining bush
- ⑪ Technopolymer release bush



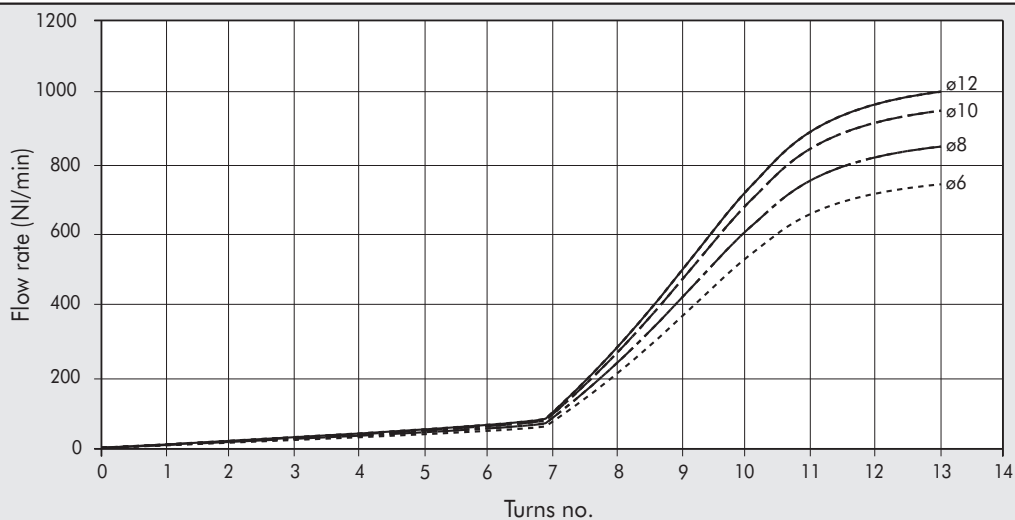
MRF M5 - PIPE $\varnothing 4$ - $\varnothing 6$



MRF 1/8" - PIPE $\varnothing 4$ - $\varnothing 6$ - $\varnothing 8$

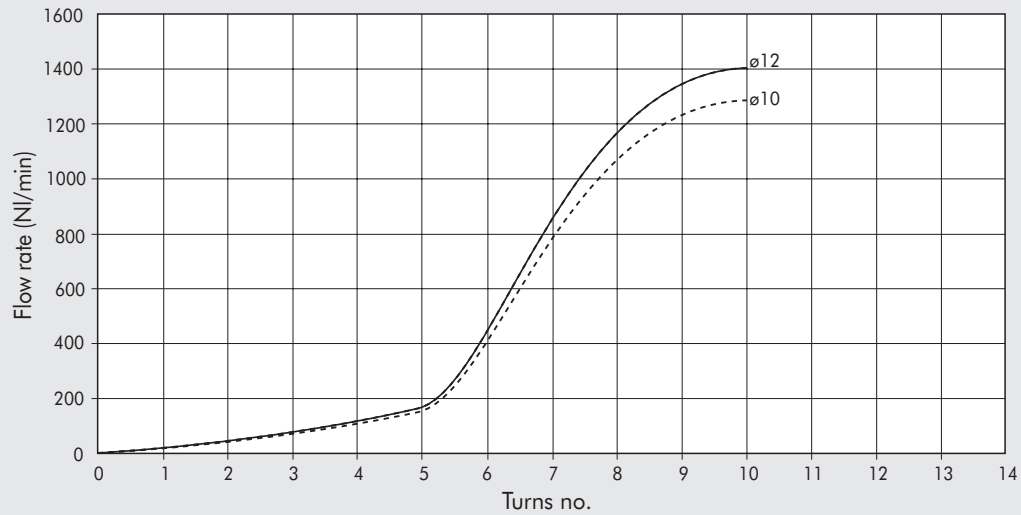


MRF 1/4" - PIPE $\varnothing 6$ - $\varnothing 8$ - $\varnothing 10$ - $\varnothing 12$

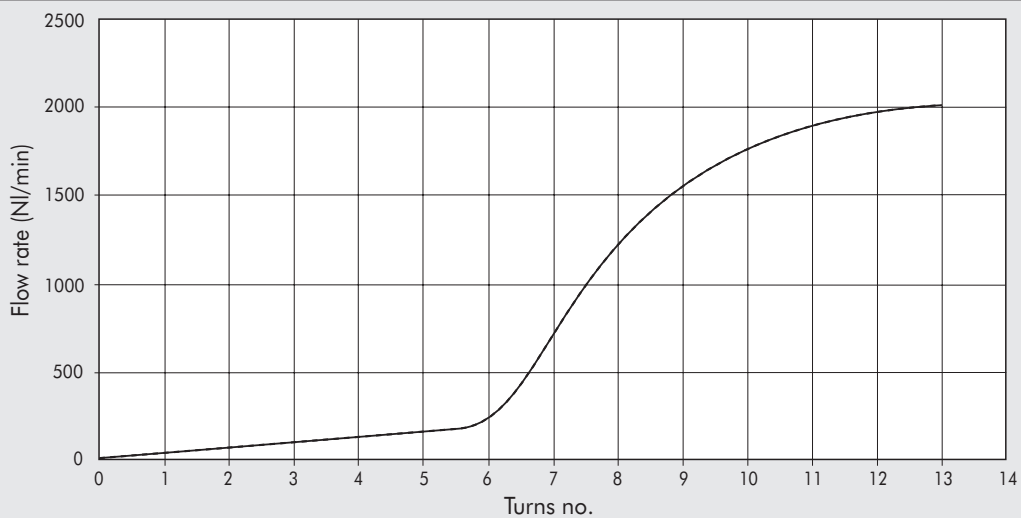




MRF 3/8" - PIPE Ø10 - Ø12



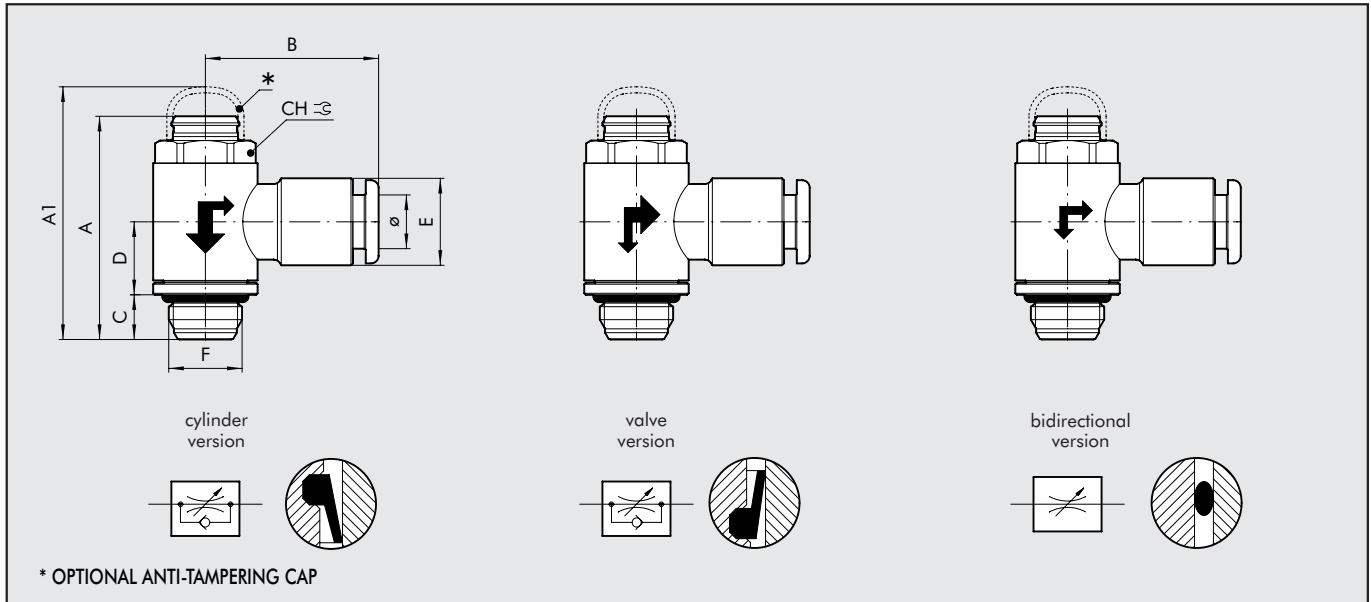
MRF 1/2" - PIPE Ø12



KEY TO CODING

M	R	F	N	M	C	4	M5
ELEMENT			TYPE	RING	FUNCTION	Ø PIPE	Ø THREAD
			N with knob and ring nut O flash pin	M Nickel-plated brass with push-in fitting T Technopolymer with push-in fitting F Nickel-plated brass with female thread	C for cylinder V for valve B bidirectional	4: Ø 4 5: Ø 5 6: Ø 6 8: Ø 8 10: Ø 10 12: Ø 12 1/8: G 1/8" F 1/4: G 1/4" F 3/8: G 3/8" F	M5:M5 1/8: G 1/8" 1/4: G 1/4" 3/8: G 3/8" 1/2: G 1/2"

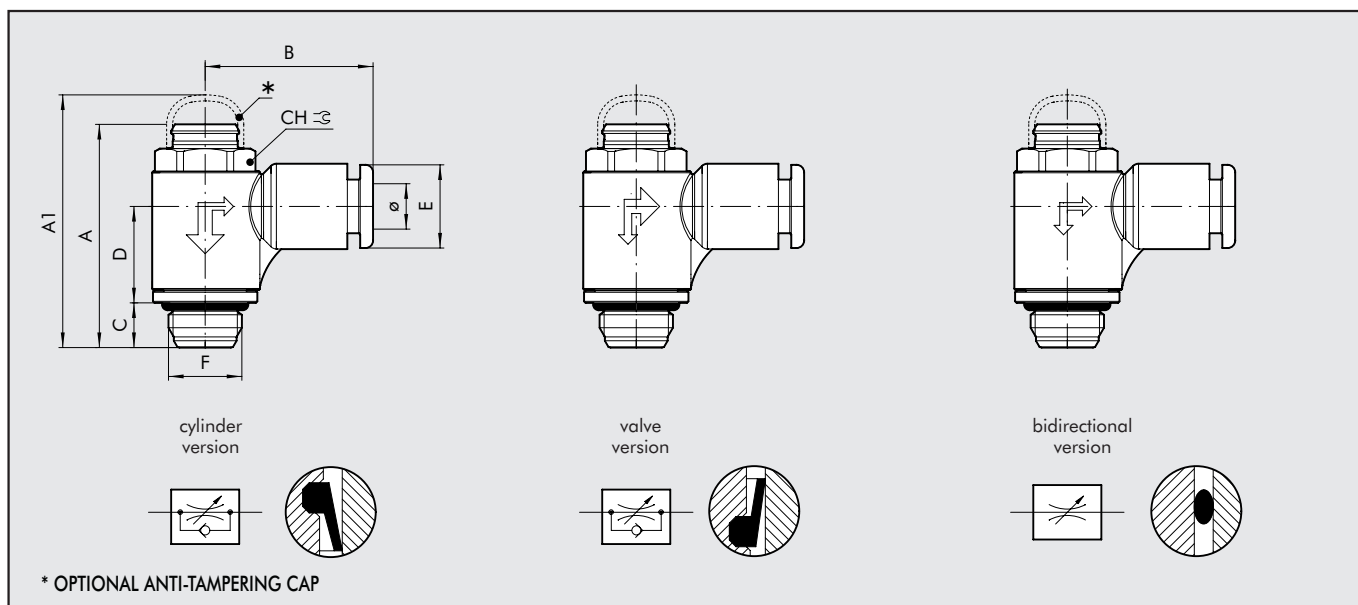
MRF COMPACT "O" BRASS RING



CODE	DESCRIPTION	F	Ø	CH	A min	A max	A1	B	C	D	E
9001001C	MRF O M C 4 M5	M5	4	9	23.9	25	26.5	20.2	4	9.2	9.5
9001110V	MRF O M V 4 M5	M5	4	9	23.9	25	26.5	20.2	4	9.2	9.5
9001601B	MRF O M B 4 M5	M5	4	9	23.9	25	26.5	20.2	4	9.2	9.5
9001002C	MRF O M C 5 M5	M5	5	9	23.9	25	26.5	23.8	4	9.2	12
9001113V	MRF O M V 5 M5	M5	5	9	23.9	25	26.5	23.8	4	9.2	12
9001603B	MRF O M B 5 M5	M5	5	9	23.9	25	26.5	23.8	4	9.2	12
9001007C	MRF O M C 6 M5	M5	6	9	23.9	25	26.5	23.5	4	9.2	11.3
9001105V	MRF O M V 6 M5	M5	6	9	23.9	25	26.5	23.5	4	9.2	11.3
9001612B	MRF O M B 6 M5	M5	6	9	23.9	25	26.5	23.5	4	9.2	11.3
9001011C	MRF O M C 4 1/8	1/8	4	12	29.8	30.9	34	21.3	6	9.8	9.5
9001111V	MRF O M V 4 1/8	1/8	4	12	29.8	30.9	34	21.3	6	9.8	9.5
9001602B	MRF O M B 4 1/8	1/8	4	12	29.8	30.9	34	21.3	6	9.8	9.5
9001012C	MRF O M C 5 1/8	1/8	5	12	29.8	30.9	34	24.8	6	9.8	12
9001112V	MRF O M V 5 1/8	1/8	5	12	29.8	30.9	34	24.8	6	9.8	12
9001604B	MRF O M B 5 1/8	1/8	5	12	29.8	30.9	34	24.8	6	9.8	12
9001003C	MRF O M C 6 1/8	1/8	6	12	29.8	30.9	34	23	6	9.8	11.5
9001101V	MRF O M V 6 1/8	1/8	6	12	29.8	30.9	34	23	6	9.8	11.5
9001605B	MRF O M B 6 1/8	1/8	6	12	29.8	30.9	34	23	6	9.8	11.5
9001005C	MRF O M C 8 1/8	1/8	8	12	29.8	30.9	34	24.8	6	9.8	13.8
9001103V	MRF O M V 8 1/8	1/8	8	12	29.8	30.9	34	24.8	6	9.8	13.8
9001607B	MRF O M B 8 1/8	1/8	8	12	29.8	30.9	34	24.8	6	9.8	13.8
9001004C	MRF O M C 6 1/4	1/4	6	15	35.4	37	38.9	24.5	8	11.1	11.5
9001102V	MRF O M V 6 1/4	1/4	6	15	35.4	37	38.9	24.5	8	11.1	11.5
9001606B	MRF O M B 6 1/4	1/4	6	15	35.4	37	38.9	24.5	8	11.1	11.5
9001006C	MRF O M C 8 1/4	1/4	8	15	35.4	37	38.9	26.5	8	11.1	13.8
9001104V	MRF O M V 8 1/4	1/4	8	15	35.4	37	38.9	26.5	8	11.1	13.8
9001608B	MRF O M B 8 1/4	1/4	8	15	35.4	37	38.9	26.5	8	11.1	13.8
9001008C	MRF O M C 10 1/4	1/4	10	15	35.4	37	38.9	31.4	8	11.1	16.5
9001106V	MRF O M V 10 1/4	1/4	10	15	35.4	37	38.9	31.4	8	11.1	16.5
9001609B	MRF O M B 10 1/4	1/4	10	15	35.4	37	38.9	31.4	8	11.1	16.5
9001014C	MRF O M C 12 1/4	1/4	12	15	35.4	37	38.9	33	8	11.1	19.5
9001123V	MRF O M V 12 1/4	1/4	12	15	35.4	37	38.9	33	8	11.1	19.5
9001623B	MRF O M B 12 1/4	1/4	12	15	35.4	37	38.9	33	8	11.1	19.5
9001009C	MRF O M C 10 3/8	3/8	10	19	42.7	42.7	49.5	32.8	9	13.4	16
9001114V	MRF O M V 10 3/8	3/8	10	19	42.7	42.7	49.5	32.8	9	13.4	16
9001610B	MRF O M B 10 3/8	3/8	10	19	42.7	42.7	49.5	32.8	9	13.4	16
9001015C	MRF O M C 12 3/8	3/8	12	19	42.7	42.7	49.5	35.3	9	13.4	19.5
9001124V	MRF O M V 12 3/8	3/8	12	19	42.7	42.7	49.5	35.3	9	13.4	19.5
9001624B	MRF O M B 12 3/8	3/8	12	19	42.7	42.7	49.5	35.3	9	13.4	19.5
9001016C	MRF O M C 12 1/2	1/2	12	22	50.6	51.4	55.3	37	11	15.9	19.5
9001125V	MRF O M V 12 1/2	1/2	12	22	50.6	51.4	55.3	37	11	15.9	19.5
9001625B	MRF O M B 12 1/2	1/2	12	22	50.6	51.4	55.3	37	11	15.9	19.5

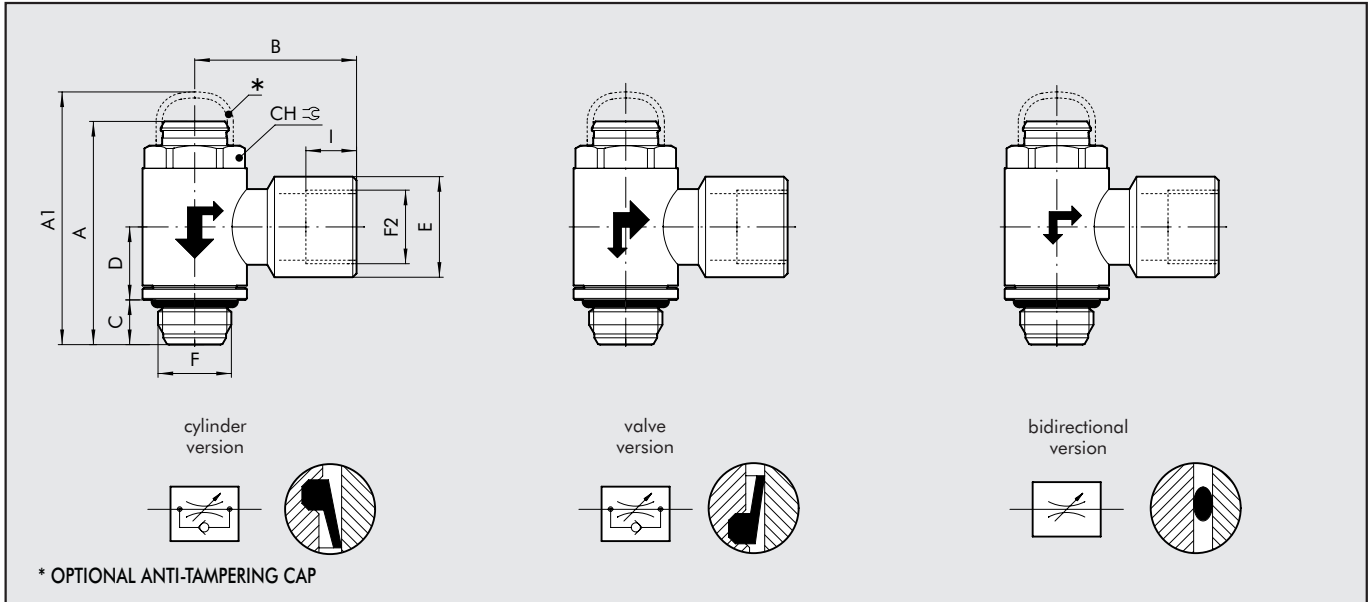


MRF COMPACT "O" TECHNOPOLYMER RING



CODE	DESCRIPTION	F	Ø	CH	A min	A max	A1	B	C	D	E
9011001C	MRF O T C 4 M5	M5	4	9	23.9	25	26.5	19.1	4	9.5	9.2
9011110V	MRF O T V 4 M5	M5	4	9	23.9	25	26.5	19.1	4	9.5	9.2
9011601B	MRF O T B 4 M5	M5	4	9	23.9	25	26.5	19.1	4	9.5	9.2
9011007C	MRF O T C 6 M5	M5	6	9	23.9	25	26.5	20.8	4	9.5	11.3
9011105V	MRF O T V 6 M5	M5	6	9	23.9	25	26.5	20.8	4	9.5	11.3
9011612B	MRF O T B 6 M5	M5	6	9	23.9	25	26.5	20.8	4	9.5	11.3
9011011C	MRF O T C 4 1/8	1/8	4	12	29.8	30.9	34	21	6	12.9	9.2
9011111V	MRF O T V 4 1/8	1/8	4	12	29.8	30.9	34	21	6	12.9	9.2
9011602B	MRF O T B 4 1/8	1/8	4	12	29.8	30.9	34	21	6	12.9	9.2
9011003C	MRF O T C 6 1/8	1/8	6	12	29.8	30.9	34	22.3	6	12.9	11.3
9011101V	MRF O T V 6 1/8	1/8	6	12	29.8	30.9	34	22.3	6	12.9	11.3
9011605B	MRF O T B 6 1/8	1/8	6	12	29.8	30.9	34	22.3	6	12.9	11.3
9011005C	MRF O T C 8 1/8	1/8	8	12	29.8	30.9	34	25.6	6	12.9	13.8
9011103V	MRF O T V 8 1/8	1/8	8	12	29.8	30.9	34	25.6	6	12.9	13.8
9011607B	MRF O T B 8 1/8	1/8	8	12	29.8	30.9	34	25.6	6	12.9	13.8
9011004C	MRF O T C 6 1/4	1/4	6	15	35.4	37	38.9	24.3	8	15	11.3
9011102V	MRF O T V 6 1/4	1/4	6	15	35.4	37	38.9	24.3	8	15	11.3
9011606B	MRF O T B 6 1/4	1/4	6	15	35.4	37	38.9	24.3	8	15	11.3
9011006C	MRF O T C 8 1/4	1/4	8	15	35.4	37	38.9	27.2	8	15	13.8
9011104V	MRF O T V 8 1/4	1/4	8	15	35.4	37	38.9	27.2	8	15	13.8
9011608B	MRF O T B 8 1/4	1/4	8	15	35.4	37	38.9	27.2	8	15	13.8
9011008C	MRF O T C 10 1/4	1/4	10	15	35.4	37	38.9	28.6	8	15	16
9011106V	MRF O T V 10 1/4	1/4	10	15	35.4	37	38.9	28.6	8	15	16
9011609B	MRF O T B 10 1/4	1/4	10	15	35.4	37	38.9	28.6	8	15	16
9011014C	MRF O T C 12 1/4	1/4	12	15	35.4	37	38.9	31	8	15	19.5
9011123V	MRF O T V 12 1/4	1/4	12	15	35.4	37	38.9	31	8	15	19.5
9011623B	MRF O T B 12 1/4	1/4	12	15	35.4	37	38.9	31	8	15	19.5
9011009C	MRF O T C 10 3/8	3/8	10	19	42.7	42.7	49.5	30.3	9	17.9	16
9011114V	MRF O T V 10 3/8	3/8	10	19	42.7	42.7	49.5	30.3	9	17.9	16
9011610B	MRF O T B 10 3/8	3/8	10	19	42.7	42.7	49.5	30.3	9	17.9	16
9011015C	MRF O T C 12 3/8	3/8	12	19	42.7	42.7	49.5	32.4	9	17.9	19.5
9011124V	MRF O T V 12 3/8	3/8	12	19	42.7	42.7	49.5	32.4	9	17.9	19.5
9011624B	MRF O T B 12 3/8	3/8	12	19	42.7	42.7	49.5	32.4	9	17.9	19.5
9011016C	MRF O T C 12 1/2	1/2	12	22	50.6	51.4	55.3	34	11	20.1	19.5
9011125V	MRF O T V 12 1/2	1/2	12	22	50.6	51.4	55.3	34	11	20.1	19.5
9011625B	MRF O T B 12 1/2	1/2	12	22	50.6	51.4	55.3	34	11	20.1	19.5

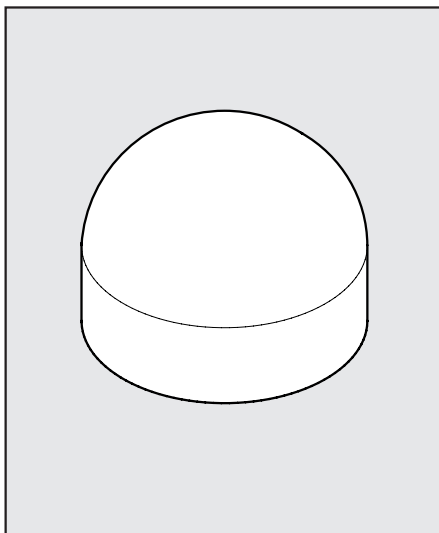
MRF COMPACT "O" THREADED BRASS RING



CODE	DESCRIPTION	F	F2	CH	A min	A max	A1	B	C	D	E	I
9001020C	MRF O F C 1/8 1/8	1/8	1/8	12	29.8	30.9	34	21.4	6	9.8	13.3	6.7
9001120V	MRF O F V 1/8 1/8	1/8	1/8	12	29.8	30.9	34	21.4	6	9.8	13.3	6.7
9001620B	MRF O F B 1/8 1/8	1/8	1/8	12	29.8	30.9	34	21.4	6	9.8	13.3	6.7
9001021C	MRF O F C 1/4 1/4	1/4	1/4	15	35.4	37	38.9	25.5	8	11.1	16.7	8
9001121V	MRF O F V 1/4 1/4	1/4	1/4	15	35.4	37	38.9	25.5	8	11.1	16.7	8
9001621B	MRF O F B 1/4 1/4	1/4	1/4	15	35.4	37	38.9	25.5	8	11.1	16.7	8
9001022C	MRF O F C 3/8 3/8	3/8	3/8	19	42.7	42.7	49.5	31.5	9	13.4	20.2	10
9001122V	MRF O F V 3/8 3/8	3/8	3/8	19	42.7	42.7	49.5	31.5	9	13.4	20.2	10
9001622B	MRF O F B 3/8 3/8	3/8	3/8	19	42.7	42.7	49.5	31.5	9	13.4	20.2	10

ACCESSORIES MRF COMPACT "O"

ANTI-TAMPERING CAP



CODE	DESCRIPTION
9090001	CAP MRF O M5
9090002	CAP MRF O 1-8/1-4
9090003	CAP MRF O 3-8/1-2

NOTE: Adjust the flow rate via the regulating pin.

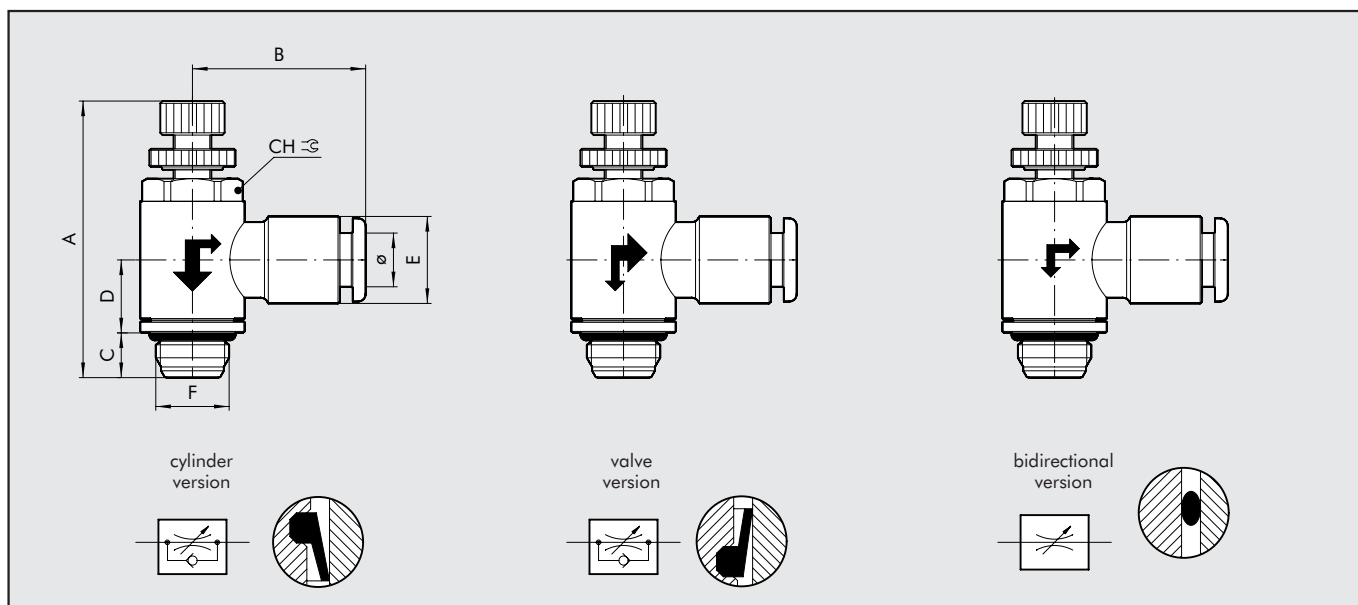
Apply the anti-tampering cap and press on firmly to prevent access to the regulation pin.

If the MRF needs to be recalibrated, remove the cap using the grippers provided.

IMPORTANT: The cap cannot be re-used after it has been removed.

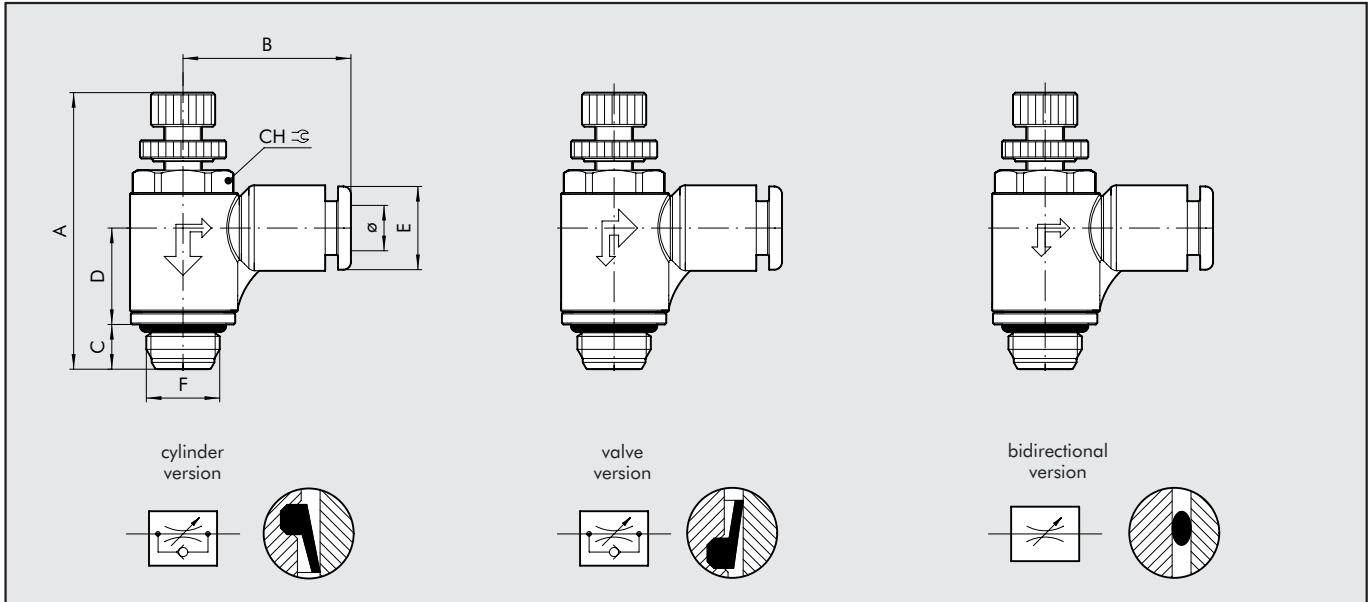


MRF COMPACT "N" BRASS RING



CODE	DESCRIPTION	F	Ø	CH	A min	A max	B	C	D	E
9031001C	MRF N M C 4 M5	M5	4	9	27.7	31	20.2	4	9.2	9.5
9031101V	MRF N M V 4 M5	M5	4	9	27.7	31	20.2	4	9.2	9.5
9031201B	MRF N M B 4 M5	M5	4	9	27.7	31	20.2	4	9.2	9.5
9031003C	MRF N M C 5 M5	M5	5	9	27.7	31	23.8	4	9.2	12
9031103V	MRF N M V 5 M5	M5	5	9	27.7	31	23.8	4	9.2	12
9031203B	MRF N M B 5 M5	M5	5	9	27.7	31	23.8	4	9.2	12
9031005C	MRF N M C 6 M5	M5	6	9	27.7	31	23.5	4	9.2	11.3
9031105V	MRF N M V 6 M5	M5	6	9	27.7	31	23.5	4	9.2	11.3
9031205B	MRF N M B 6 M5	M5	6	9	27.7	31	23.5	4	9.2	11.3
9031002C	MRF N M C 4 1/8	1/8	4	12	33.5	37.6	21.3	6	9.8	9.5
9031102V	MRF N M V 4 1/8	1/8	4	12	33.5	37.6	21.3	6	9.8	9.5
9031202B	MRF N M B 4 1/8	1/8	4	12	33.5	37.6	21.3	6	9.8	9.5
9031004C	MRF N M C 5 1/8	1/8	5	12	33.5	37.6	24.8	6	9.8	12
9031104V	MRF N M V 5 1/8	1/8	5	12	33.5	37.6	24.8	6	9.8	12
9031204B	MRF N M B 5 1/8	1/8	5	12	33.5	37.6	24.8	6	9.8	12
9031006C	MRF N M C 6 1/8	1/8	6	12	33.5	37.6	23	6	9.8	11.5
9031106V	MRF N M V 6 1/8	1/8	6	12	33.5	37.6	23	6	9.8	11.5
9031206B	MRF N M B 6 1/8	1/8	6	12	33.5	37.6	23	6	9.8	11.5
9031008C	MRF N M C 8 1/8	1/8	8	12	33.5	37.6	24.8	6	9.8	13.8
9031108V	MRF N M V 8 1/8	1/8	8	12	33.5	37.6	24.8	6	9.8	13.8
9031208B	MRF N M B 8 1/8	1/8	8	12	33.5	37.6	24.8	6	9.8	13.8
9031007C	MRF N M C 6 1/4	1/4	6	15	38.8	43.7	24.5	8	11.1	11.5
9031107V	MRF N M V 6 1/4	1/4	6	15	38.8	43.7	24.5	8	11.1	11.5
9031207B	MRF N M B 6 1/4	1/4	6	15	38.8	43.7	24.5	8	11.1	11.5
9031009C	MRF N M C 8 1/4	1/4	8	15	38.8	43.7	26.5	8	11.1	13.8
9031109V	MRF N M V 8 1/4	1/4	8	15	38.8	43.7	26.5	8	11.1	13.8
9031209B	MRF N M B 8 1/4	1/4	8	15	38.8	43.7	26.5	8	11.1	13.8
9031011C	MRF N M C 10 1/4	1/4	10	15	38.8	43.7	31.4	8	11.1	16.5
9031111V	MRF N M V 10 1/4	1/4	10	15	38.8	43.7	31.4	8	11.1	16.5
9031211B	MRF N M B 10 1/4	1/4	10	15	38.8	43.7	31.4	8	11.1	16.5
9031014C	MRF N M C 12 1/4	1/4	12	15	38.8	43.7	33	8	11.1	19.5
9031114V	MRF N M V 12 1/4	1/4	12	15	38.8	43.7	33	8	11.1	19.5
9031214B	MRF N M B 12 1/4	1/4	12	15	38.8	43.7	33	8	11.1	19.5
9031012C	MRF N M C 10 3/8	3/8	10	19	47.2	52	32.8	9	13.4	16
9031112V	MRF N M V 10 3/8	3/8	10	19	47.2	52	32.8	9	13.4	16
9031212B	MRF N M B 10 3/8	3/8	10	19	47.2	52	32.8	9	13.4	16
9031015C	MRF N M C 12 3/8	3/8	12	19	47.2	52	35.3	9	13.4	19.5
9031115V	MRF N M V 12 3/8	3/8	12	19	47.2	52	35.3	9	13.4	19.5
9031215B	MRF N M B 12 3/8	3/8	12	19	47.2	52	35.3	9	13.4	19.5
9031016C	MRF N M C 12 1/2	1/2	12	22	53	59.8	37	11	15.9	19.5
9031116V	MRF N M V 12 1/2	1/2	12	22	53	59.8	37	11	15.9	19.5
9031216B	MRF N M B 12 1/2	1/2	12	22	53	59.8	37	11	15.9	19.5

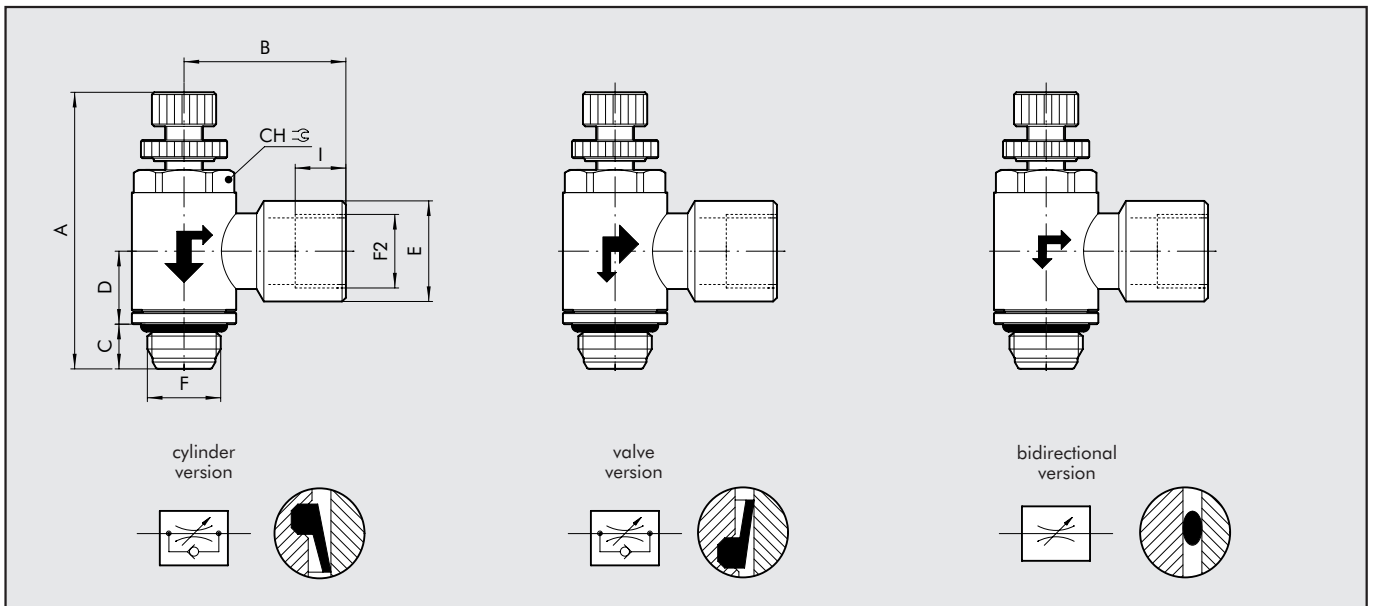
MRF COMPACT "N" TECHNOPOLYMER RING



CODE	DESCRIPTION	F	Ø	CH	A min	A max	B	C	D	E
9021001C	MRF N T C 4 M5	M5	4	9	27.7	31	19.1	4	9.5	9.2
9021101V	MRF N T V 4 M5	M5	4	9	27.7	31	19.1	4	9.5	9.2
9021201B	MRF N T B 4 M5	M5	4	9	27.7	31	19.1	4	9.5	9.2
9021005C	MRF N T C 6 M5	M5	6	9	27.7	31	20.8	4	9.5	11.3
9021105V	MRF N T V 6 M5	M5	6	9	27.7	31	20.8	4	9.5	11.3
9021205B	MRF N T B 6 M5	M5	6	9	27.7	31	20.8	4	9.5	11.3
9021002C	MRF N T C 4 1/8	1/8	4	12	33.5	37.6	21	6	12.9	9.2
9021102V	MRF N T V 4 1/8	1/8	4	12	33.5	37.6	21	6	12.9	9.2
9021202B	MRF N T B 4 1/8	1/8	4	12	33.5	37.6	21	6	12.9	9.2
9021006C	MRF N T C 6 1/8	1/8	6	12	33.5	37.6	22.3	6	12.9	11.3
9021106V	MRF N T V 6 1/8	1/8	6	12	33.5	37.6	22.3	6	12.9	11.3
9021206B	MRF N T B 6 1/8	1/8	6	12	33.5	37.6	22.3	6	12.9	11.3
9021008C	MRF N T C 8 1/8	1/8	8	12	33.5	37.6	25.6	6	12.9	13.8
9021108V	MRF N T V 8 1/8	1/8	8	12	33.5	37.6	25.6	6	12.9	13.8
9021208B	MRF N T B 8 1/8	1/8	8	12	33.5	37.6	25.6	6	12.9	13.8
9021007C	MRF N T C 6 1/4	1/4	6	15	38.8	43.7	24.3	8	15	11.3
9021107V	MRF N T V 6 1/4	1/4	6	15	38.8	43.7	24.3	8	15	11.3
9021207B	MRF N T B 6 1/4	1/4	6	15	38.8	43.7	24.3	8	15	11.3
9021009C	MRF N T C 8 1/4	1/4	8	15	38.8	43.7	27.2	8	15	13.8
9021109V	MRF N T V 8 1/4	1/4	8	15	38.8	43.7	27.2	8	15	13.8
9021209B	MRF N T B 8 1/4	1/4	8	15	38.8	43.7	27.2	8	15	13.8
9021011C	MRF N T C 10 1/4	1/4	10	15	38.8	43.7	28.6	8	15	16
9021111V	MRF N T V 10 1/4	1/4	10	15	38.8	43.7	28.6	8	15	16
9021211B	MRF N T B 10 1/4	1/4	10	15	38.8	43.7	28.6	8	15	16
9021014C	MRF N T C 12 1/4	1/4	12	15	38.8	43.7	31	8	15	19.5
9021114V	MRF N T V 12 1/4	1/4	12	15	38.8	43.7	31	8	15	19.5
9021214B	MRF N T B 12 1/4	1/4	12	15	38.8	43.7	31	8	15	19.5
9021012C	MRF N T C 10 3/8	3/8	10	19	47.2	52	30.3	9	17.9	16
9021112V	MRF N T V 10 3/8	3/8	10	19	47.2	52	30.3	9	17.9	16
9021212B	MRF N T B 10 3/8	3/8	10	19	47.2	52	30.3	9	17.9	16
9021015C	MRF N T C 12 3/8	3/8	12	19	47.2	52	32.4	9	17.9	19.5
9021115V	MRF N T V 12 3/8	3/8	12	19	47.2	52	32.4	9	17.9	19.5
9021215B	MRF N T B 12 3/8	3/8	12	19	47.2	52	32.4	9	17.9	19.5
9021016C	MRF N T C 12 1/2	1/2	12	22	53	59.8	34	11	20.1	19.5
9021116V	MRF N T V 12 1/2	1/2	12	22	53	59.8	34	11	20.1	19.5
9021216B	MRF N T B 12 1/2	1/2	12	22	53	59.8	34	11	20.1	19.5



MRF COMPACT "N" THREADED BRASS RING



CODE	DESCRIPTION	F	F2	CH	A min	A max	B	C	D	E	I
9031301C	MRF N F C 1/8 1/8	1/8	1/8	12	33.5	37.6	21.4	6	9.8	13.3	6.7
9031401V	MRF N F V 1/8 1/8	1/8	1/8	12	33.5	37.6	21.4	6	9.8	13.3	6.7
9031501B	MRF N F B 1/8 1/8	1/8	1/8	12	33.5	37.6	21.4	6	9.8	13.3	6.7
9031302C	MRF N F C 1/4 1/4	1/4	1/4	15	38.8	43.7	25.5	8	11.1	16.7	8
9031402V	MRF N F V 1/4 1/4	1/4	1/4	15	38.8	43.7	25.5	8	11.1	16.7	8
9031502B	MRF N F B 1/4 1/4	1/4	1/4	15	38.8	43.7	25.5	8	11.1	16.7	8
9031303C	MRF N F C 3/8 3/8	3/8	3/8	19	47.2	52	31.5	9	13.4	20.2	10
9031403V	MRF N F V 3/8 3/8	3/8	3/8	19	47.2	52	31.5	9	13.4	20.2	10
9031503B	MRF N F B 3/8 3/8	3/8	3/8	19	47.2	52	31.5	9	13.4	20.2	10

NOTES