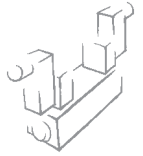


# VALVES ISO 5599/1, SOLENOID/PNEUMATIC, SERIES ISV WITH M12 CONNECTOR

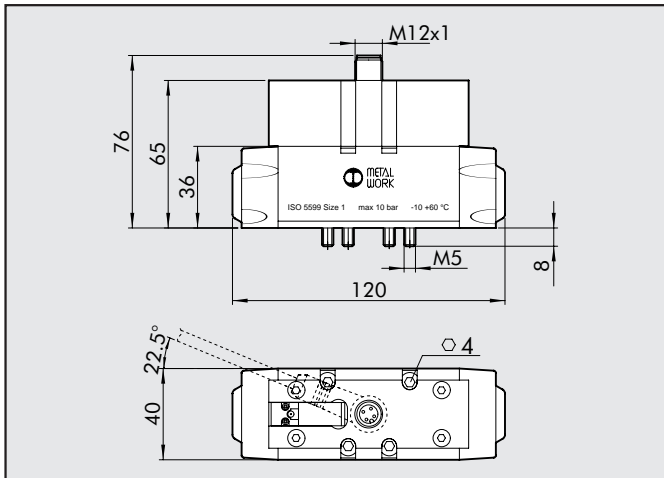


TECHNICAL DATA	ISO 1	ISO 2
Operating pressure:		
• monostable	2.5 ÷ 10 bar	
• bistable	1 ÷ 10 bar	
• pilot-assisted	Vacuum – 10 bar	
Minimum pilot pressure	2.5 bar	
Operating temperature range	-10° ÷ +60°C	
Nominal diameter	7.5 mm	12 mm
Conductance C	250 NI/min · bar	657.14 NI/min · bar
Critical ratio b	0.36 bar/bar	0.25 bar/bar
Flow rate at 6 Bar ΔP 0.5 Bar	700 NI/min	1800 NI/min
Flow rate at 6 Bar ΔP 1 Bar	1100 NI/min	2700 NI/min
TRA / TRR monostable at 6 Bar	22 ms / 60 ms	78 ms / 180 ms
Solenoid pilot:	with built-in coil	
Manual:	monostable on solenoid pilot monostable on valve body	
Coil power	1,2 W	
Voltage	24 VDC ±10%	
Electrical connection	M12	
Degree of protection	IP65 EN60529	
Electrical protection	Transil	



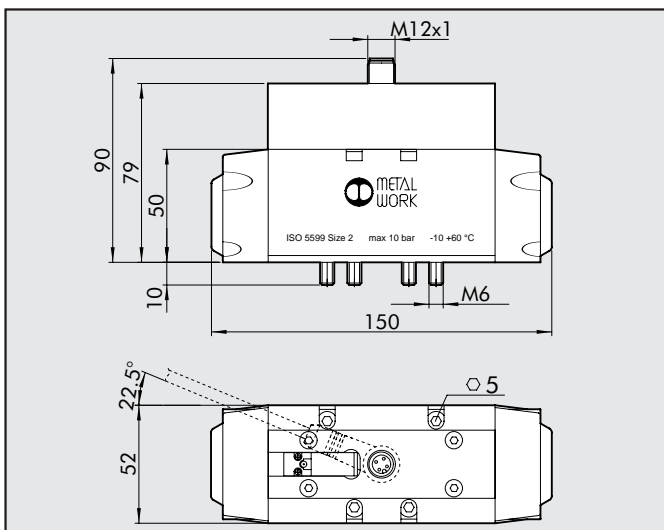
2

## MONOSTABLE 5/2 ISO 1



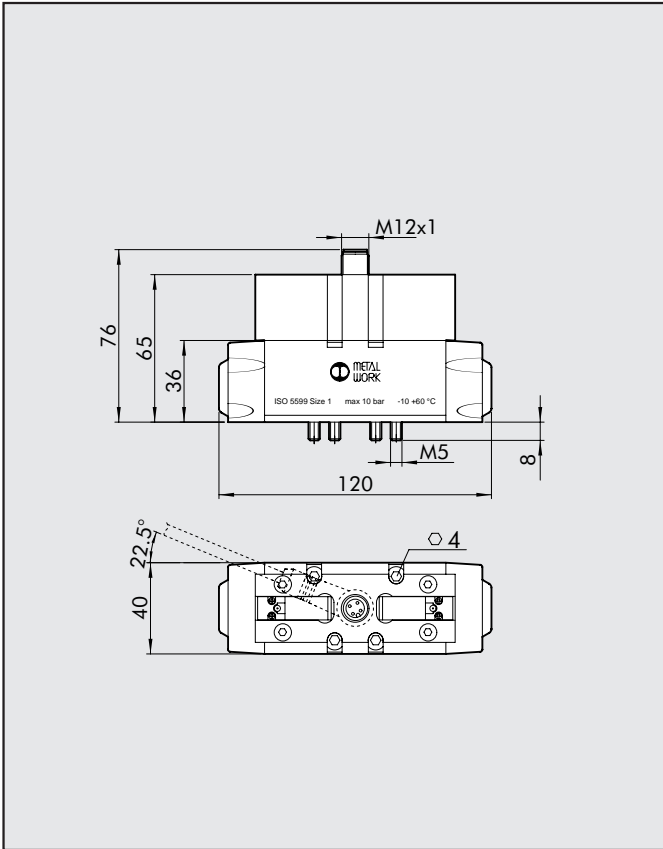
Symbol	Abbrev.	Code	Weight [g]
	ISV 55 COS OO	7054021100	508
	ISV 55 CES OO	7054021400	508



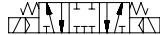

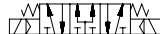


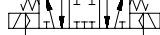

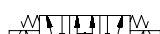
## MONOSTABLE 5/2 ISO 2



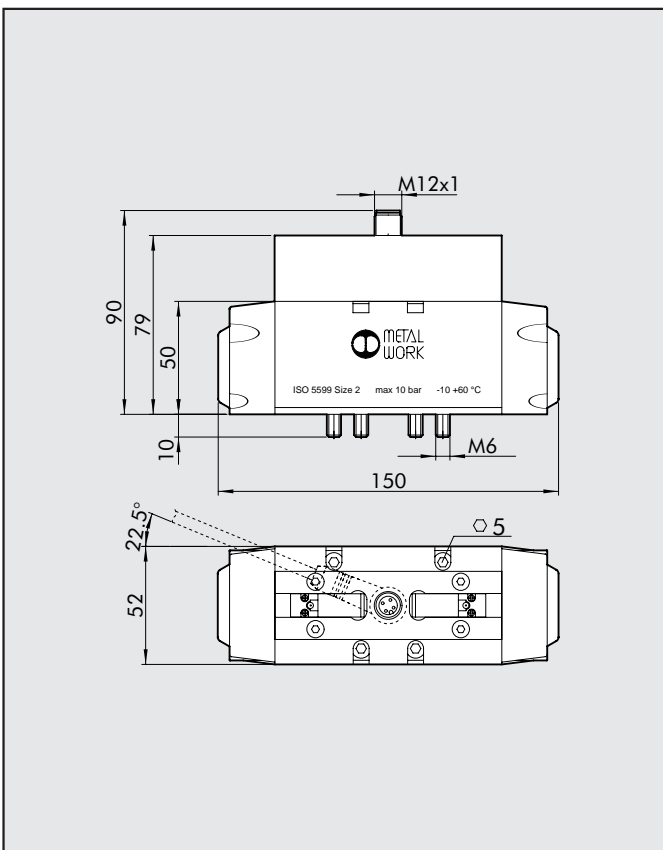
Symbol	Abbrev.	Code	Weight [g]
	ISV 65 COS OO	7055021100	901
	ISV 65 CES OO	7055021400	901



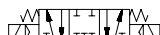







**BISTABLE 5/2 ISO 1  
MONOSTABLE 5/3 ISO 1**

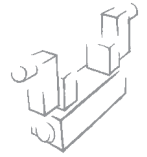


Symbol	Abbrev.	Code	Weight [g]
	ISV 55 COB OO	7054021200	512
	ISV 55 COD OO	7054021300	490
	ISV 56 COS CC	7054022100	496
	ISV 56 COS OC	7054022200	496
	ISV 56 COS PC	7054022300	496
	ISV 55 CEB OO	7054021500	512
	ISV 55 CED OO	7054021600	490
	ISV 56 CES CC	7054022400	496
	ISV 56 CES OC	7054022500	496
	ISV 56 CES PC	7054022600	496

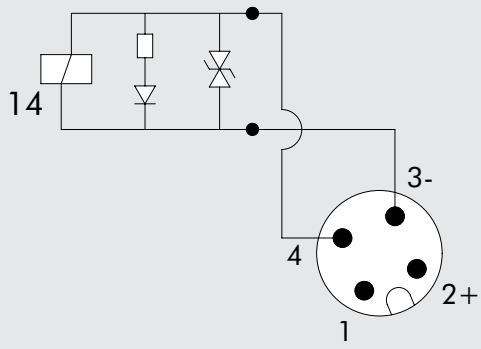
**BISTABLE 5/2 ISO 2  
MONOSTABLE 5/3 ISO 2**



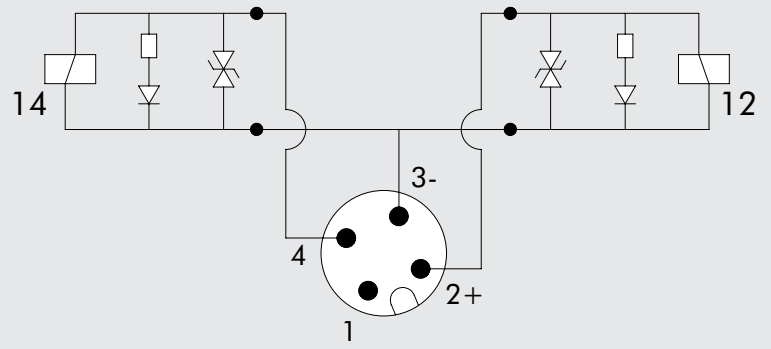
Symbol	Abbrev.	Code	Weight [g]
	ISV 65 COB OO	7055021200	860
	ISV 65 COD OO	7055021300	860
	ISV 66 COS CC	7055022100	868
	ISV 66 COS OC	7055022200	868
	ISV 66 COS PC	7055022300	868
	ISV 65 CEB OO	7055021500	860
	ISV 65 CED OO	7055021600	860
	ISV 66 CES CC	7055022400	868
	ISV 66 CES OC	7055022500	868
	ISV 66 CES PC	7055022600	868



## WIRING DIAGRAM



MONOSTABLE



BISTABLE

## NOTES

Blank area for notes, consisting of multiple horizontal lines.